

ProfileFlex

Stainless steel
conveyor system



ProfileSolutions

Leak Detection & Automation Technology

ProfileSolutions

Leak Detection & Automation Technology

Profile Solutions was established in 1993 and has been a supplier of world-leading leak testers for testing plastic bottles, drum and technical parts with exports to 33 countries.

We now offer in addition to our leak testers a complete range of modular **ProfileFlex** conveyors. This range has been tried and tested since 2002 running in over 20 countries. Many thousands of conveyors have been constructed from this system.

We are pleased to offer this high quality system to the North American market.

We can assist with concept design, project and engineering, assembly and after sale service.

Many multinational companies utilize this conveyor system. The **ProfileFlex** conveyors are used in designs to handle packaged foods, plastic bottles, tissue rolls, automotive components, personal products, pharmaceuticals, detergents and chemicals.

Important:

This document is created by Profile Solutions to support its customers in developing & optimizing their conveyor systems. It is intended as a guide only; for critical applications, please contact Profile Solutions for further assistance.

It should also be noted that many new and specialized components, due to their nature, have not been included in this catalogue. Again, contact Profile Solutions for assistance.

Safety:

It is of paramount importance that all conveyors, elevators & other automated equipment are installed & operated in a safe manner.

- All equipment should be suitably bolted down prior to operation.
- Electrical wiring may only be carried out by qualified technicians.
- Never operate any conveyor without appropriate guarding in place.
- Never operate any conveyor which is damaged, and may cause a hazard.
- Always set safety slip clutches to the appropriate tension (where applicable).

For more information:

Profile Solutions USA Office

PH : 877 776 5325
FAX : 877 776 3329

Email : leak@profauto.com.au
: usa@profauto.com.au

Websites : www.profauto.com.au
: www.profileflex.com
: <http://www.slideshare.net/ProfileSolutionsOZ/profile-overview-2015-40204>
: www.youtube.com/user/PROFILE1963/videos

ProfileFlex Conveyors

ProfileFlex Conveyors

FLX

FMX

FHX

FBX175

FBX295

ACC

TOOL

IDX

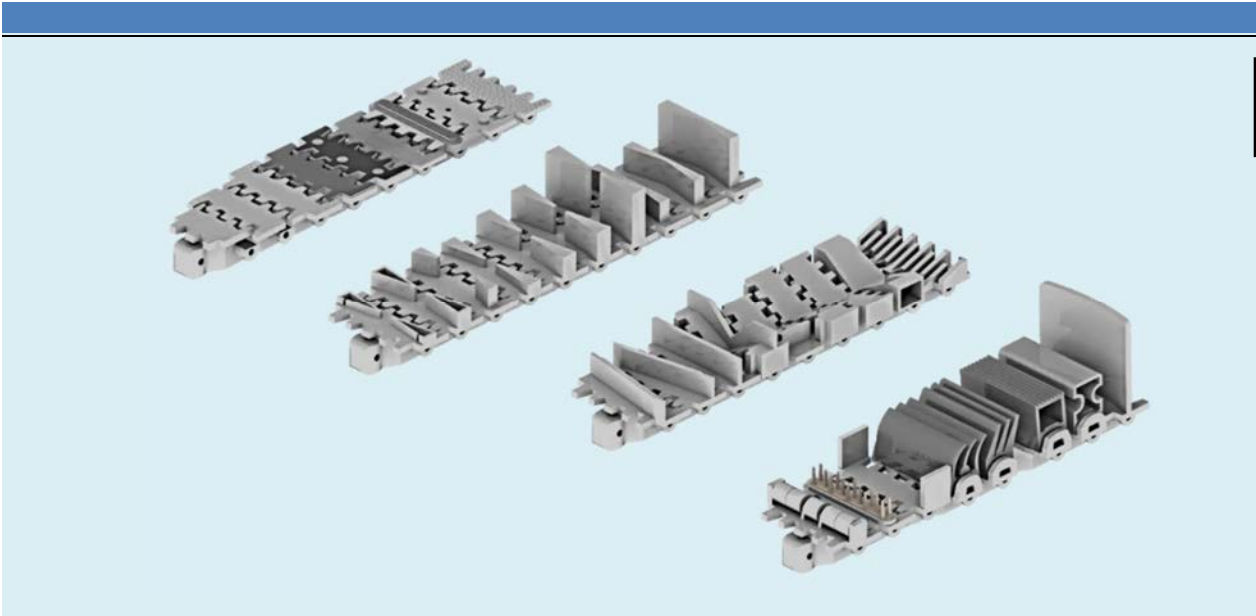
Contents	
FLX	2
FMX	19
FHX	37
FBX175	54
FBX295	65
Adjustable guide rail brackets	76
Support beam	78
Tool	82
Index	84

Stainless steel conveyor system, FLX

FLX

Contents	
Chains	3
Conveyor beam	6
End drive units	8
Idler unit	10
Horizontal wheel bends	11
Horizontal plain bends	14
Vertical bends	16

Chains, FLX



FLX

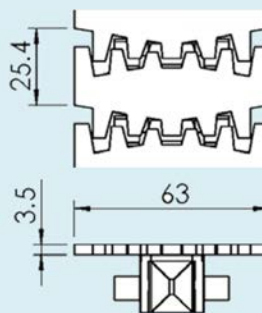
Chains, FLX

FLX

Plain chain

FLTP 5 Plain chain
Length 5 mt

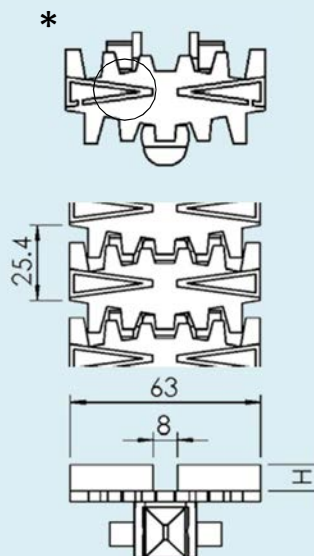
FLTL 63 Plain link



Cleated chain

FLTF 5X4 A... H=4 mm *
FLTF 5X5.5 A... H=5.5 mm *
FLTF 5X9 A... H=9 mm
FLTF 5X12 A... H=12 mm
FLTF 5X15 A... H=15 mm
FLTF 5X17 A... H=17 mm
FLTF 5X30 A... H=30 mm

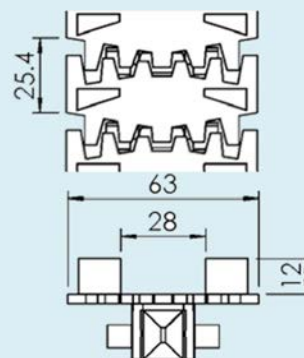
FLTL 63X4 A H=4 mm *
FLTL 63X5.5 A H=5.5 mm *
FLTL 63X9 A H=9 mm
FLTL 63X12 A H=12 mm
FLTL 63X15A H=15 mm
FLTL 63X17 A H=17 mm
FLTL 63X30 A H=30 mm



Cleated chain

FLTF 5X12 B... Cleated chain Type B
Length 5 mt

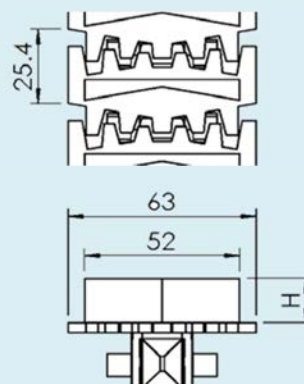
FLTL 63x12 B Cleated link



Cleated chain

Cleated chain Type C
FLTF 5X12 C... H=12 mm
FLTF 5X15 C... H=15 mm
FLTF 5X30 C... H=30 mm

FLTL 63X12 C H=12 mm
FLTL 63X15 C H=15 mm
FLTL 63X30 C H=30 mm



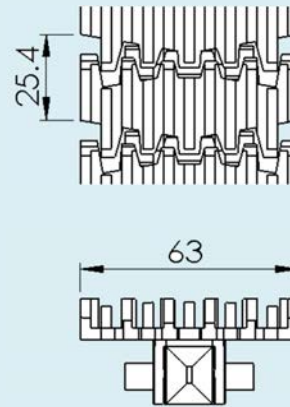
Chains, FLX

FLX

Cleated chain

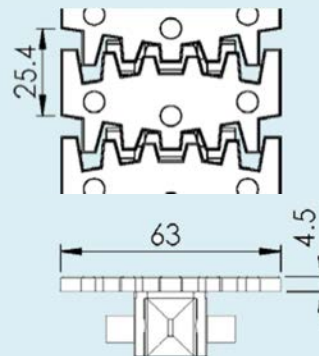
F3924167 Cleated chain
Length 5 mt

F3903648 Cleated link



FLTP 5 TF Steel top chain
Length 5 mt

FLTL 63 TF Steel top link



FLTT 9X16 Plastic pivot

FLTD 4X36 Steel pin

FLMJ 4 Pin insertion tool

FDSS 450 Silicone-based
lubricant



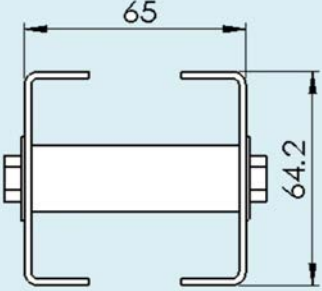
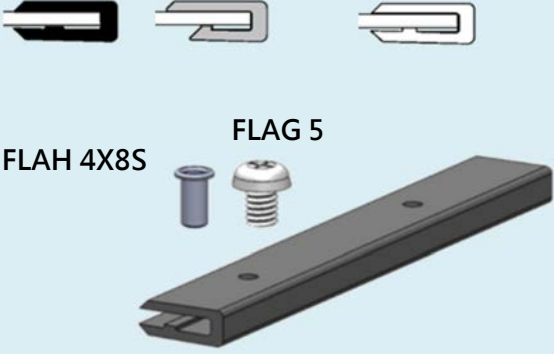
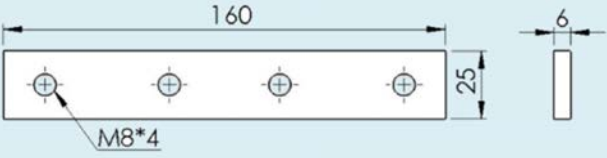
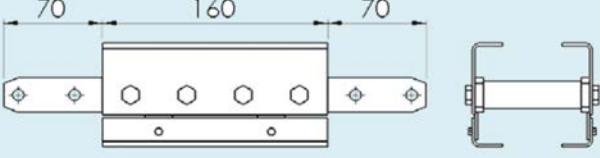

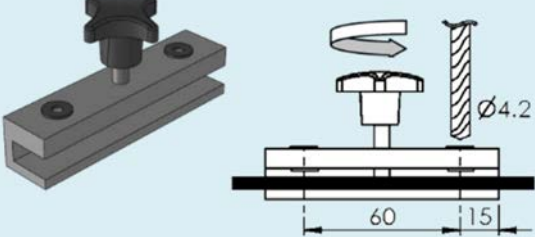
Conveyor beam, FLX



FLX

Conveyor beam, FLX

FLX

Beam	FLCBX 3	Length 3 m	
Slide rail	FLCR 25 FLCR 25U FLCR 25P FLCR 25H	Length 25 m	<p data-bbox="831 533 1394 566">FLCR 25 FLCR 25H FLCR 25U/FLCR 25P</p> 
FLCJX 6X160		Length 3 m	
FLCCX 160		For conveyor FL	
FLMR 140		Mounting tool	
F3920500		Drill fixture for slide rail	

End drive unit, FLX

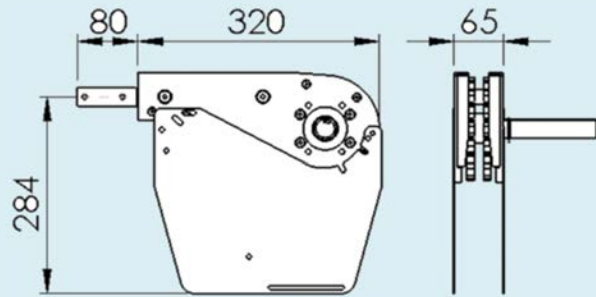


FLX

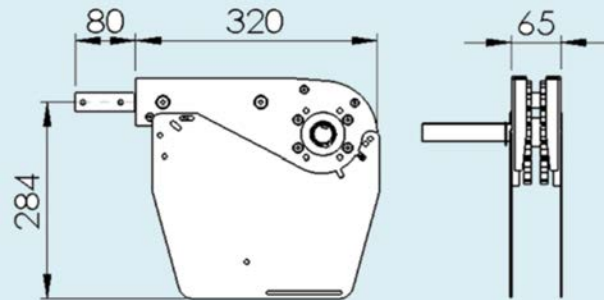
End drive unit, FLX

FLX

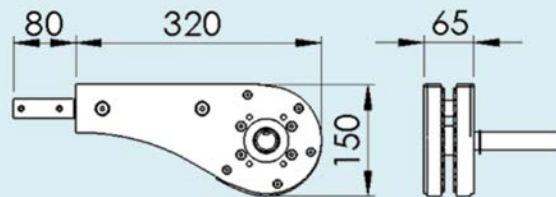
FLEBX 0HLU Drive unit, basic unit
Transmission on left-hand side



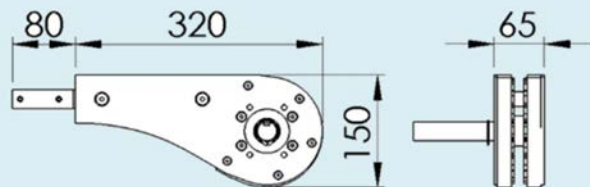
FLEBX 0HRU Drive unit, basic unit
Transmission on right-hand side



FLEBX 0HLGU Drive unit, basic unit
Direct drive without slack, left-hand side

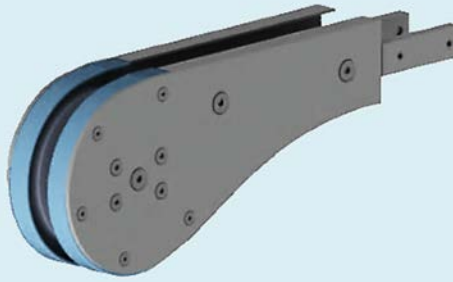


FLEBX 0HRGU Drive unit, basic unit
Direct drive without slack, right-hand side



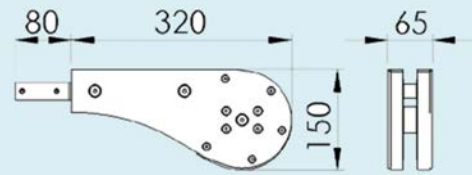
Idler end unit, FLX

FLX



FLEJX 320

Idler end unit



Horizontal wheel bend, FLX

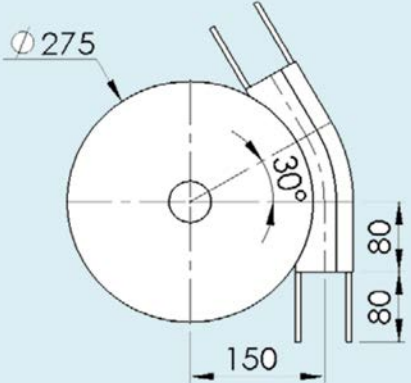
FLX



Horizontal wheel bend, FLX

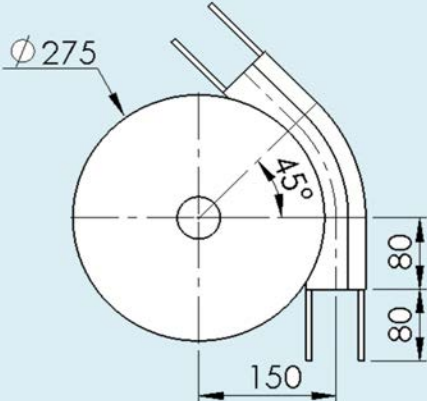
FLX

FLBHX 30R150 Radius to centre of chain 150 mm



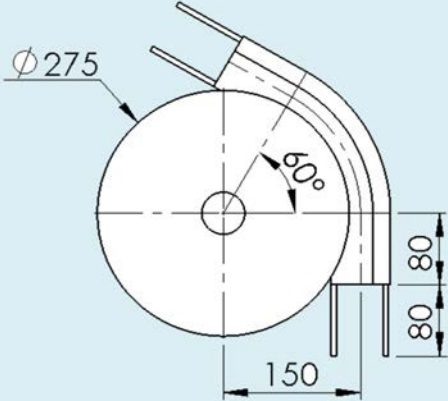
Horizontal wheel bend, 45°

FLBHX 45R150 Radius to centre of chain 150 mm



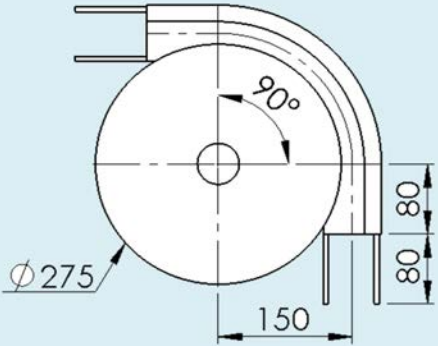
Horizontal wheel bend, 60°

FLBHX 60R150 Radius to centre of chain 150 mm



Horizontal wheel bend, 90°

FLBHX 90R150 Radius to centre of chain 150 mm



Horizontal plain bend, FLX



FLX

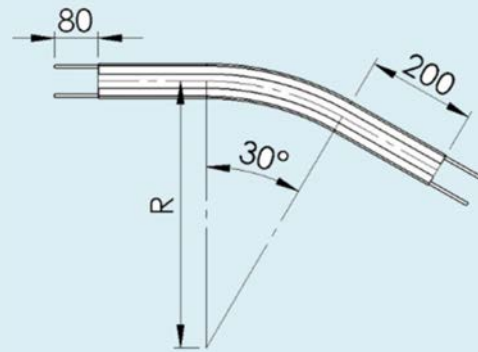
* Note: Special angles on request.

Horizontal plain bend, FLX

FLX

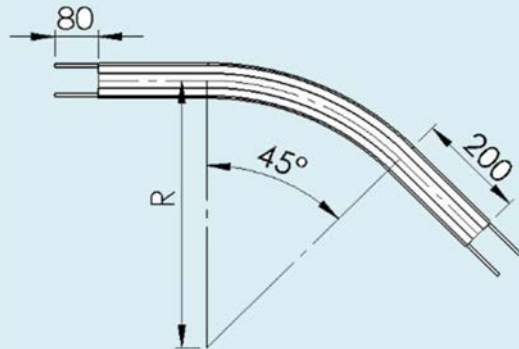
Horizontal plain bend, 30°
Radius to centre of beam:

FLBPX 30R500 R500
FLBPX 30R700 R700
FLBPX 30R1000 R1000



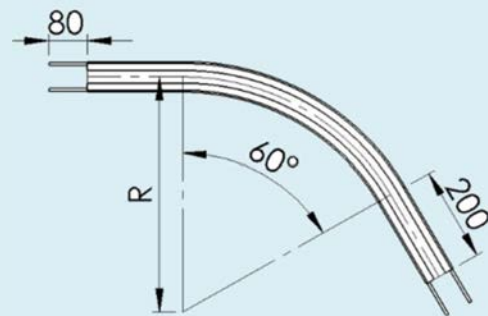
Horizontal plain bend, 45°
Radius to centre of beam:

FLBPX 45R500 R500
FLBPX 45R700 R700
FLBPX 45R1000 R1000



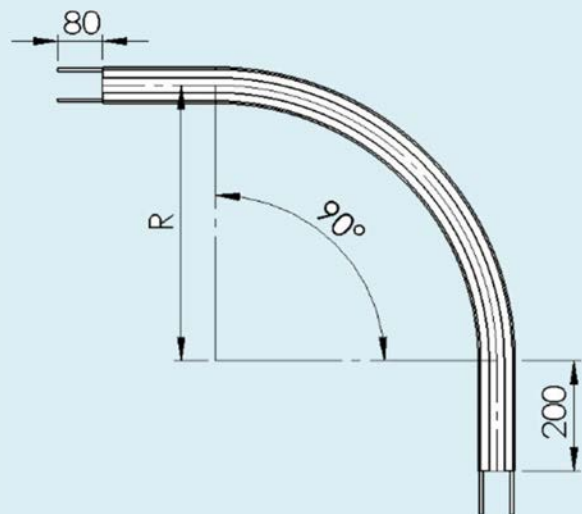
Horizontal plain bend, 60°
Radius to centre of beam:

FLBPX 60R500 R500
FLBPX 60R700 R700
FLBPX 60R1000 R1000



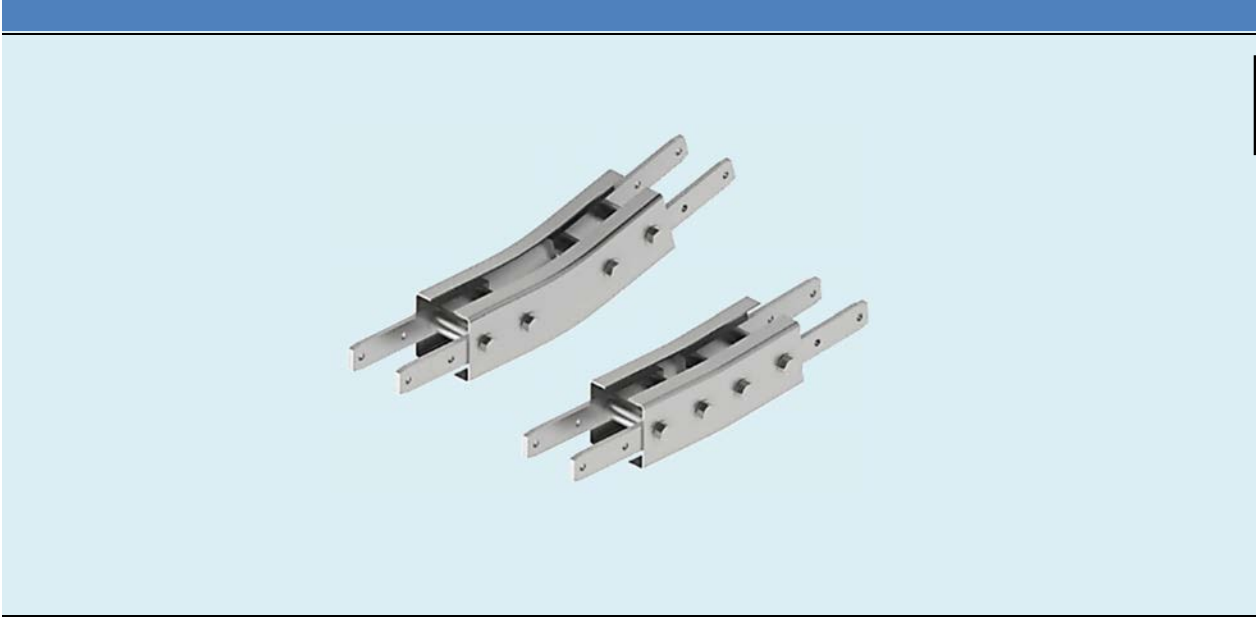
Horizontal plain bend, 90°
Radius to centre of beam:

FLBPX 90R500 R500
FLBPX 90R700 R700
FLBPX 90R1000 R1000



* Note: Special angles on request.

Vertical bend, FLX



FLX

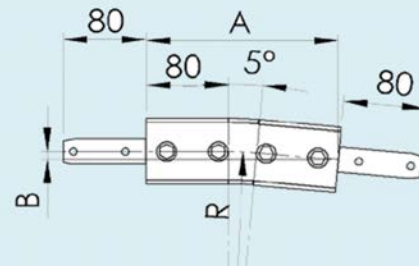
Vertical bend, FLX

FLX

Vertical bend, 5°

Radius to centre of beam:

FLBVX 5R300 R=300 mm

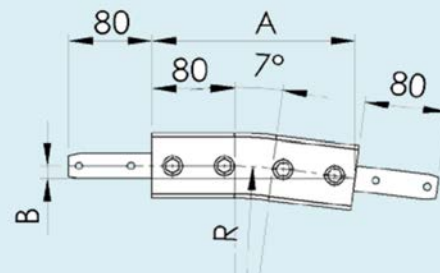


	R	A	B
FLBVX 5R300	300	186	8

Vertical bend, 7°

Radius to centre of beam:

FLBVX 7R300 R=300 mm

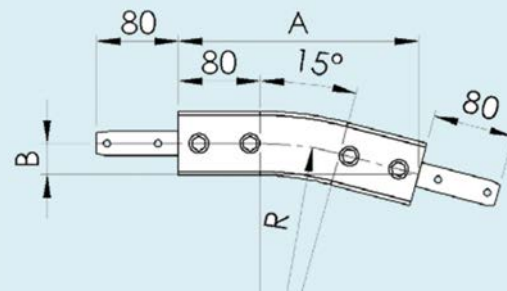


	R	A	B
FLBVX 7R300	300	196	12

Vertical bend, 15°

Radius to centre of beam:

FLBVX 15R300 R=300 mm

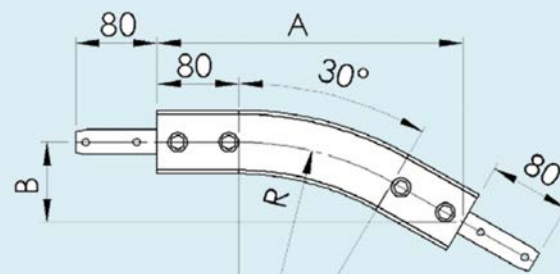


	R	A	B
FLBVX 15R300	300	235	31

Vertical bend, 30°

Radius to centre of beam:

FLBVX 30R300 R=300 mm



	R	A	B
FLBVX 30R300	300	299	80

* Note: Special angles on request.

Stainless - 17

Vertical bend, FLX

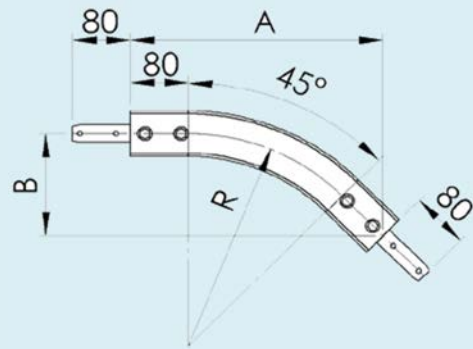
FLX

Vertical bend, 45°

Radius to centre of beam:

FLBVX 45R300 R=300 mm

FLBVX 45R1000 R=1000 mm



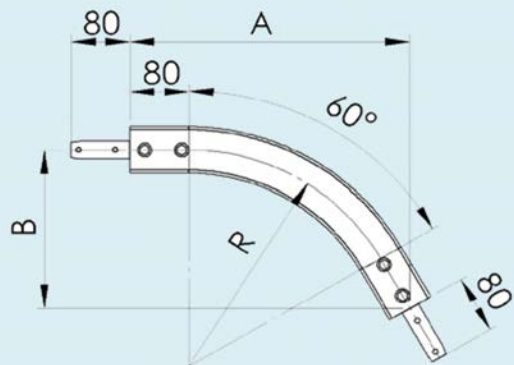
	R	A	B
FLBVX 45R300	300	349	145
FLBVX 45R1000	1000	844	350

Vertical bend, 60°

Radius to centre of beam:

FLBVX 60R300 R=300 mm

FLBVX 60R1000 R=1000 mm



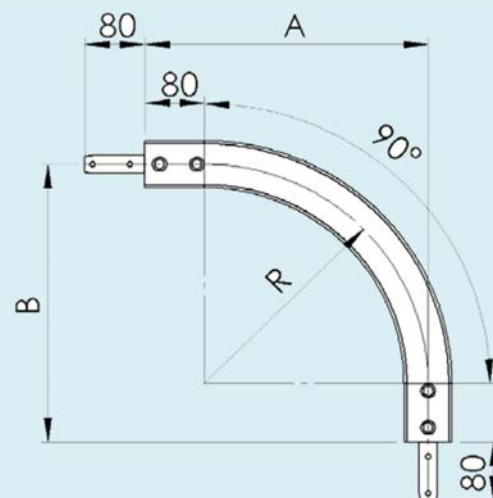
	R	A	B
FLBVX 60R300	300	380	219
FLBVX60R1000	1000	986	569

Vertical bend, 90°

Radius to centre of beam:

FLBVX 90R300 R=300 mm

FLBVX 90R1000 R=1000 mm



	R	A	B
FLBVX 90R400	300	380	380
FLVBX90R1000	1000	1080	1080

* Note: Special angles on request.

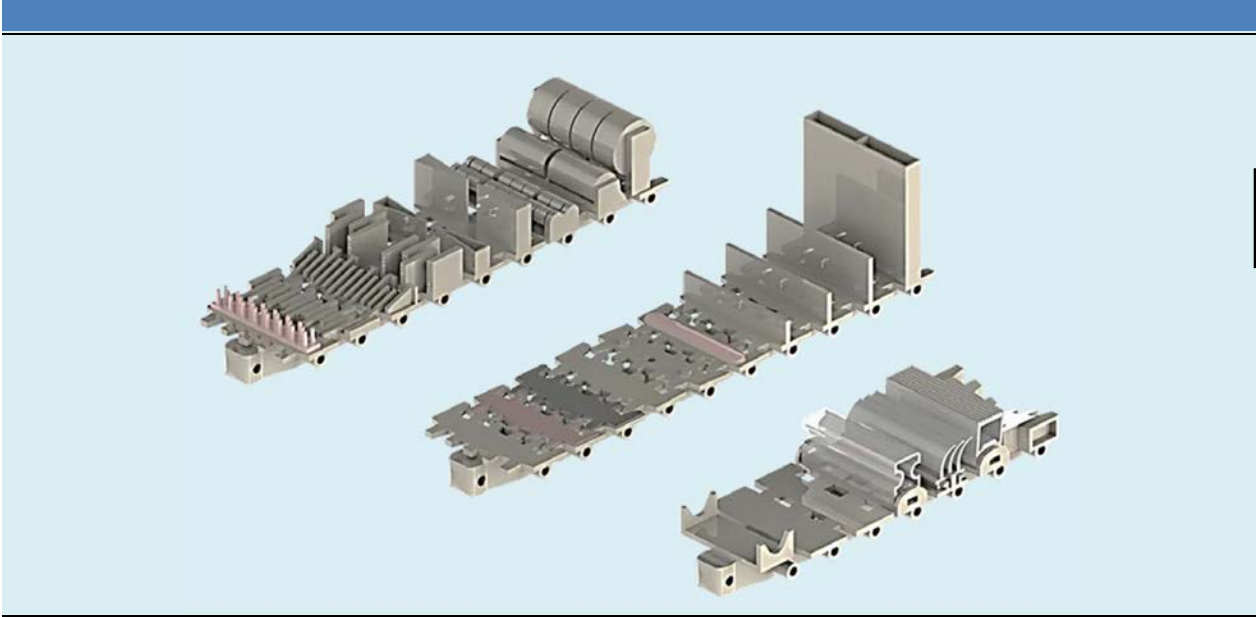
Stainless - 18

Stainless steel conveyor system, FMX

FMX

Contents	
Chains	20
Conveyor beam	24
End drive unit	26
Idler units	28
Horizontal wheel bends	29
Horizontal plain bends	32
Vertical bends	34

Chains, FMX



FMX

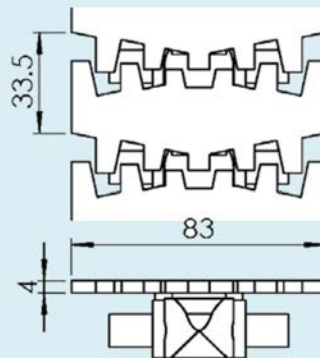
Chains, FMX

FMX

Plain chain

FMTP 5 Plain chain
Length 5mt

FMTL 83 Plain link

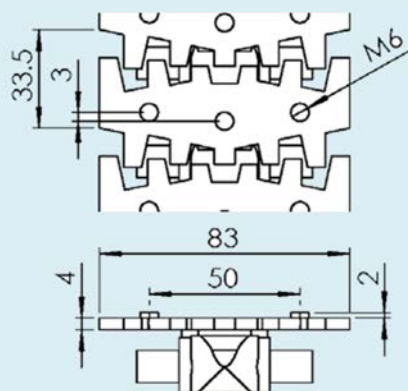


Universal chain

FMTF 5 U Length 25 m

FMTL 83 U Universal link

The link has a hole for an M6 screw.
M6 nut will fit inside the link.



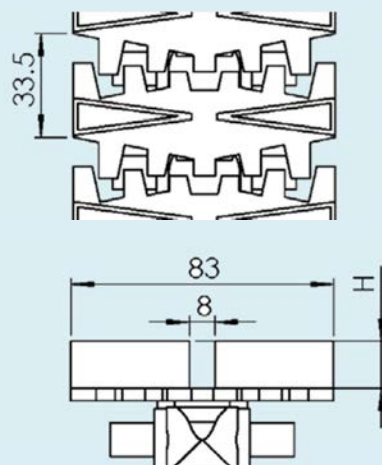
Cleated chain

FMTF 5X15 A... Cleated chain Type A
Length 5 mt
H=15 mm

FMTF 5X30 A... H=30 mm

FMTL 83X15 A Cleated link
H=15 mm

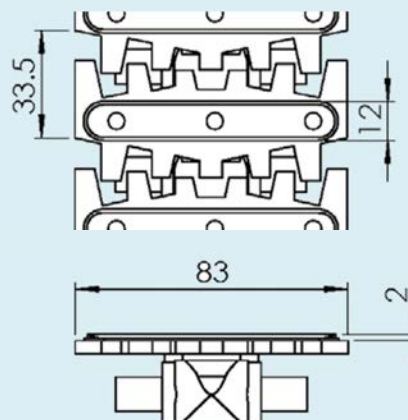
FMTL 83X30 A H=30 mm



Friction top chain

FMTP 5 F Friction top chain
Length 5 mt

FMTL 83 F Friction top link



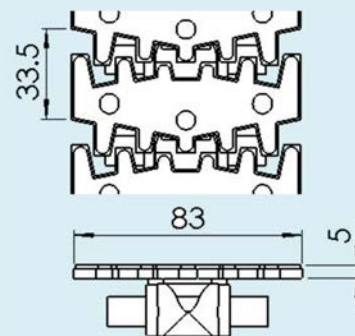
Chains, FMX

FMX

Steel top chain

FMTP 5 TF Steel top link
Length 5mt

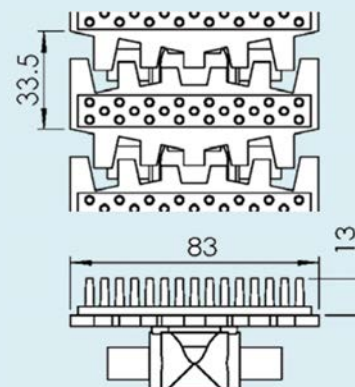
FMTL 83 TF Steel top link



Flexible cleat chain

FMTE 5 B Flexible cleat chain
Type B, Length 5mt

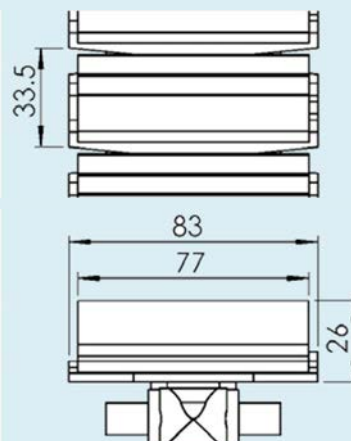
FMTL 83 B Flexible cleat link



FMTE 5 C Flexible cleat chain
Type C, Length 5mt

FMTM 83 C Flexible cleat link
assembly. Type C
(link base and
flexible cleat top)

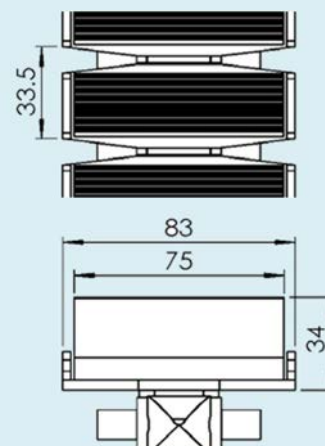
FMTX 78 C Separate cleat for
replacement



FMTE 5 D Flexible cleat chain
Type D, Length 5mt

FMTM 83 D Flexible cleat link
assembly. Type D
(link base and
flexible cleat top)

FMTX 75 D Flexible cleat top
(replacement)

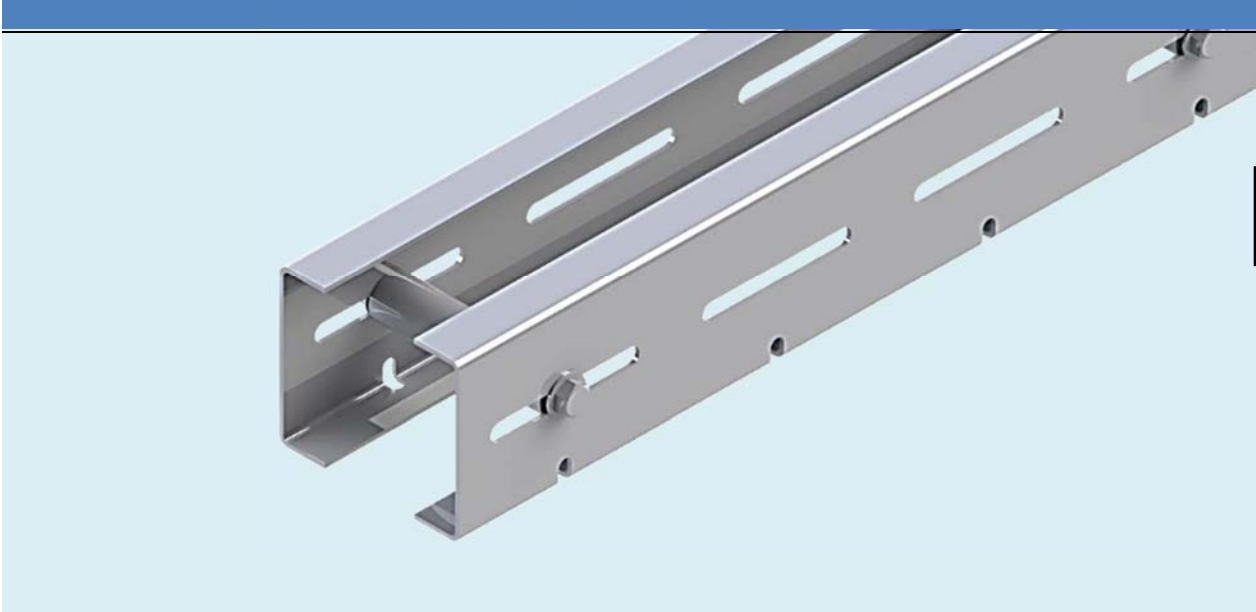


Chains, FMX

FMX

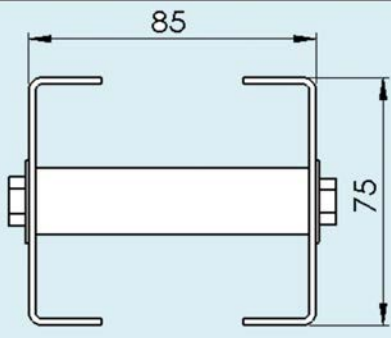


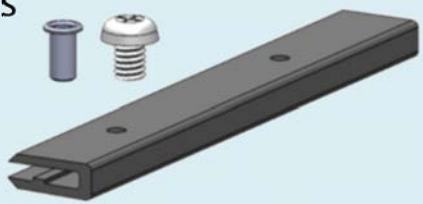
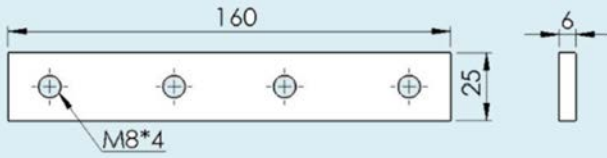
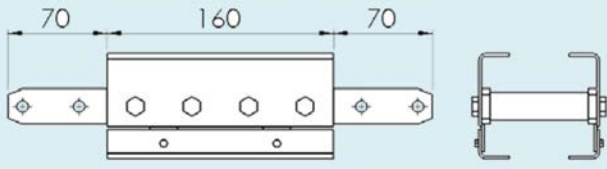

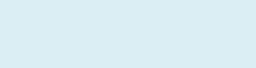
<i>Roller top chain</i>		
FMTR 5	Roller top chain Length 5 mt	
FMTL 83 R	Roller top link This link cannot be combined with plain links	
<i>Chain with roller cleats</i>		
FMTF 5X23 R...	Chain with roller cleats, Length 5 mt	
FMTL 83X23 R	Link with roller cleats	
<i>Chain with roller cleats</i>		
FMTF 5X46 R...	Chain with roller cleats, Length 5 mt	
FMTL 83X46 R	Link with roller cleats	
<p>Note. This type of chain requires minimum one plain link between every cleated link.</p>		
<i>Tools and accessories</i>		
FMTT 13X16	Plastic pivot	FBMJ 6P
FMTD 6X50	Steel pin	FMMJ 6
FBMJ 6P	Pin insertion tool	
FMMJ 6	Pin insertion tool	
FDSS 450	Silicone-based lubricant	

Conveyor beam, FMX

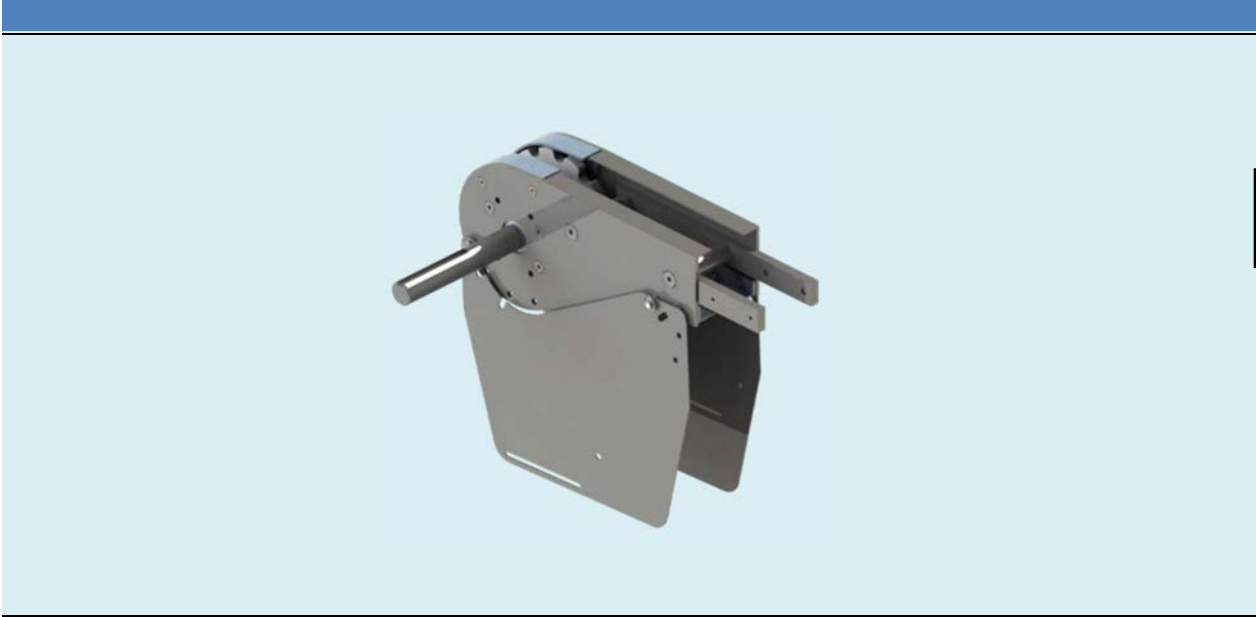


Conveyor beam, FMX

FMX

<p>Beam</p> <p>FMCBX 3 Length 3 m</p>	
<p>Slide rail</p> <p>Length 25 m</p> <p>FLCR 25 HDPE Black FLCR 25U UHMW White FLCR 25P PVDF White FLCR 25H HDPE+PE6 Gray</p> <p>FLAH 4X8S Stainless rivet FLAG 5 Plastic screw</p>	<p>FLCR 25 FLCR 25H FLCR 25U/FLCR 25P</p>  <p>FLAH 4X8S FLAG 5</p>  
<p>FLCJX 6X160 Length 3 m</p>	
<p>FMCCX 160 For conveyor FM</p>	
<p>FMMR 140 Mounting tool</p>	
<p>F3920500 Drill fixture for slide rail</p>	

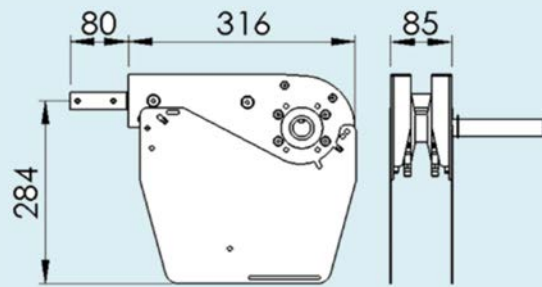
End drive unit, FMX



FMX

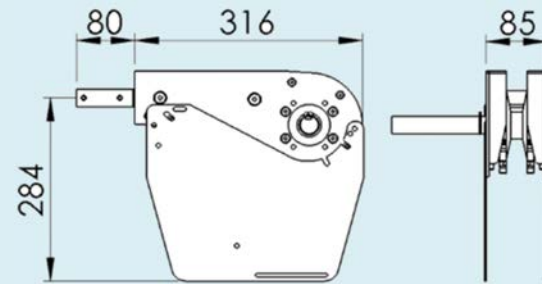
End drive unit, FMX

FMEBX 0HLU Drive unit, basic unit
Transmission on left-hand side

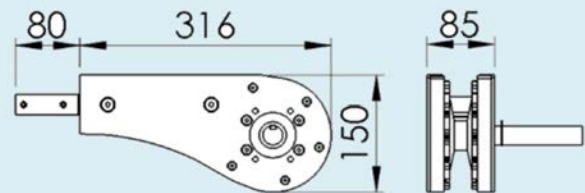


FMX

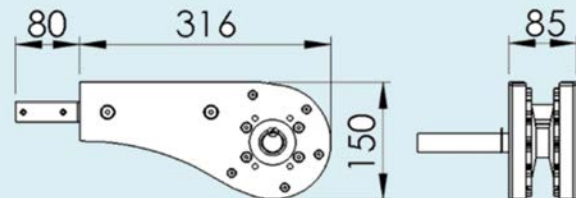
FMEBX 0HRU Drive unit, basic unit
Transmission on right-hand side



FMEBX 0HLGU Drive unit, basic unit
Direct drive without slack, left-hand side



FMEBX 0HRGU Drive unit, basic unit
Direct drive without slack, right-hand side



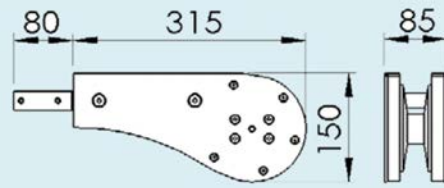
Idler end unit, FMX

FMX



FMEJX 315

Idler end unit



Horizontal wheel bend, FMX



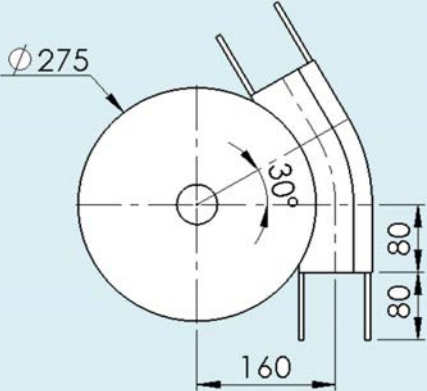
FMX

Horizontal wheel bend, FMX

FMX

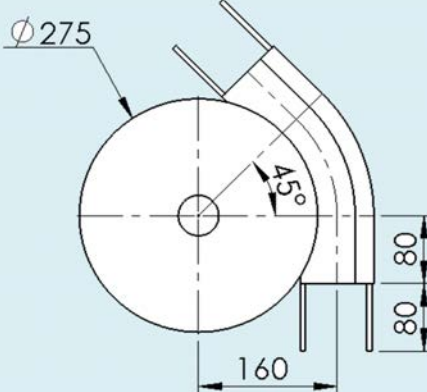
Horizontal wheel bend, 30°

FMBHX 30R160 Radius to centre of chain 160 mm



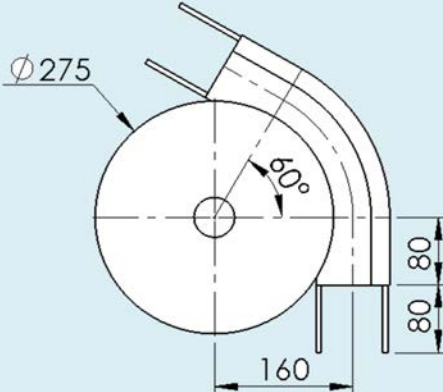
Horizontal wheel bend, 45°

FMBHX 45R160 Radius to centre of chain 160 mm



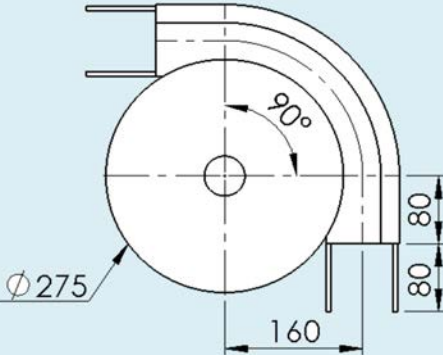
Horizontal wheel bend, 60°

FMBHX 60R160 Radius to centre of chain 160 mm



Horizontal wheel bend, 90°

FMBHX 90R160 Radius to centre of chain 160 mm

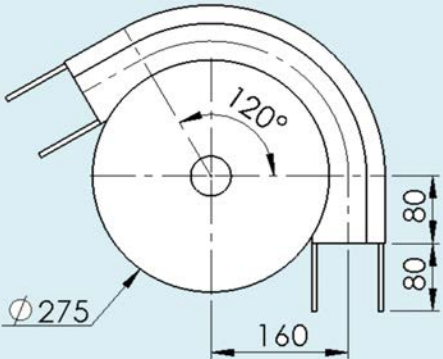


Horizontal wheel bend, FMX

FMX

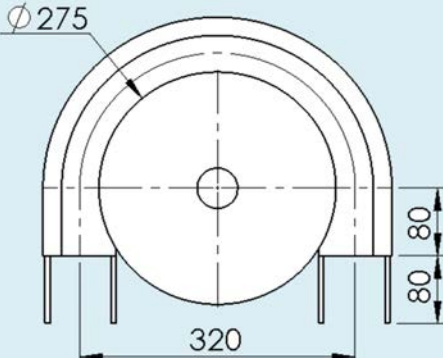
Horizontal wheel bend, 120°

FMBHX 120R160 Radius to centre of chain 160 mm



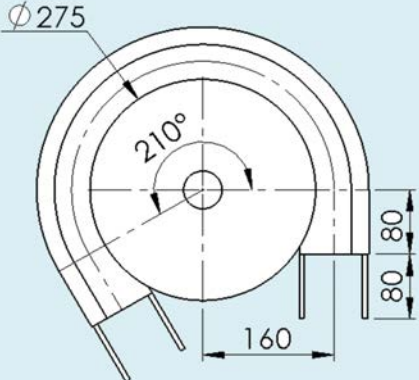
Horizontal wheel bend, 180°

FMBHX 180R160 Radius to centre of chain 160 mm

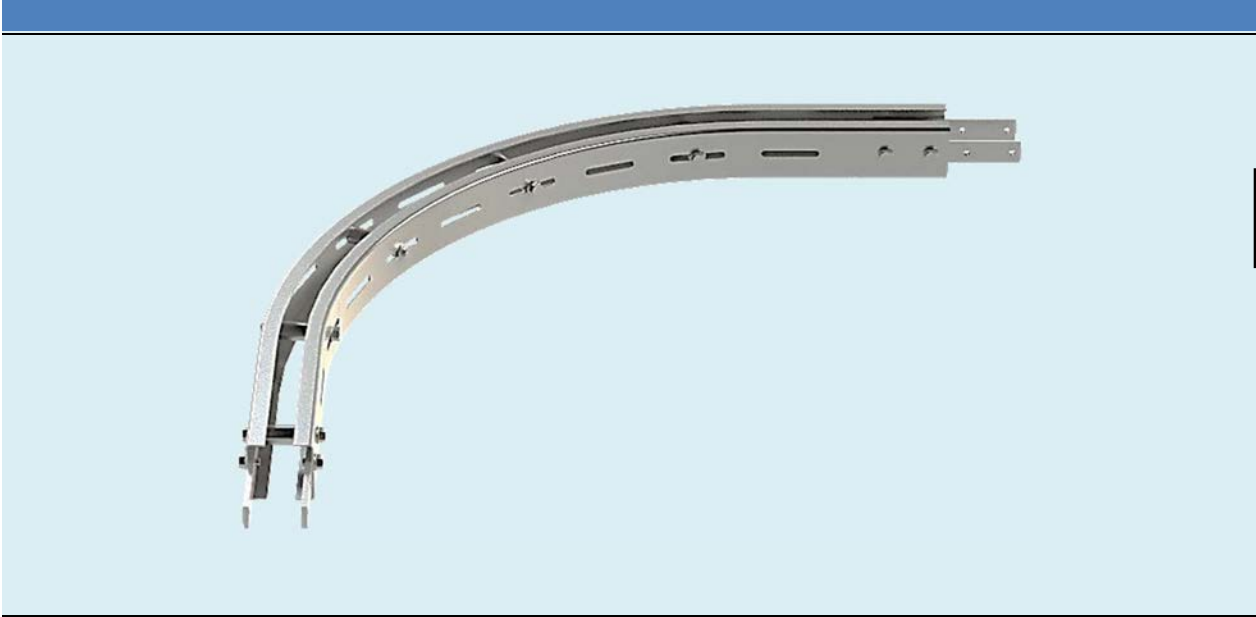


Horizontal wheel bend, 210°

FMBHX 210R150 Radius to centre of chain 160 mm



Horizontal plain bend, FMX



FMX

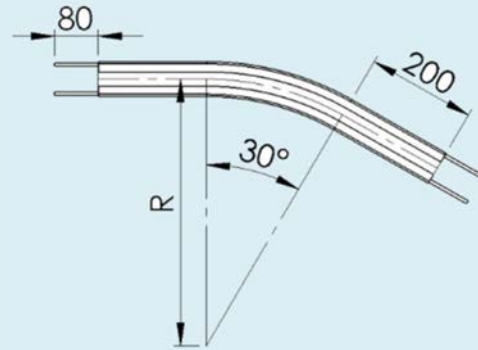
* Note: Special angles on request.

Horizontal plain bend, FMX

FMX

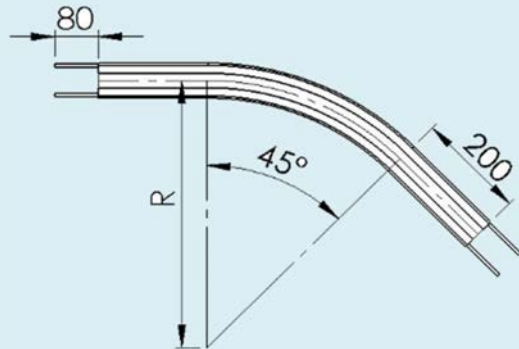
Horizontal plain bend, 30°
Radius to centre of beam:

FMBPX 30R500 R500
FMBPX 30R700 R700
FMBPX 30R1000 R1000



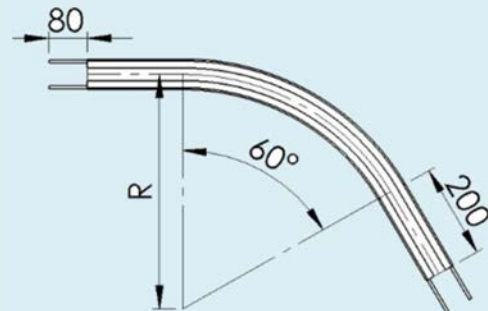
Horizontal plain bend, 45°
Radius to centre of beam:

FMBPX 45R500 R500
FMBPX 45R700 R700
FMBPX 45R1000 R1000



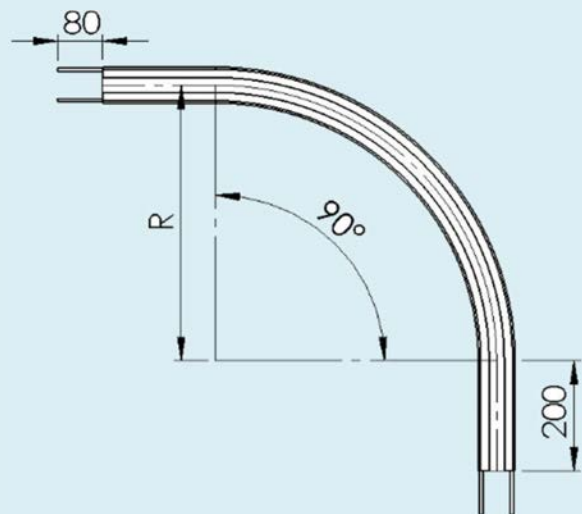
Horizontal plain bend, 60°
Radius to centre of beam:

FMBPX 60R500 R500
FMBPX 60R700 R700
FMBPX 60R1000 R1000



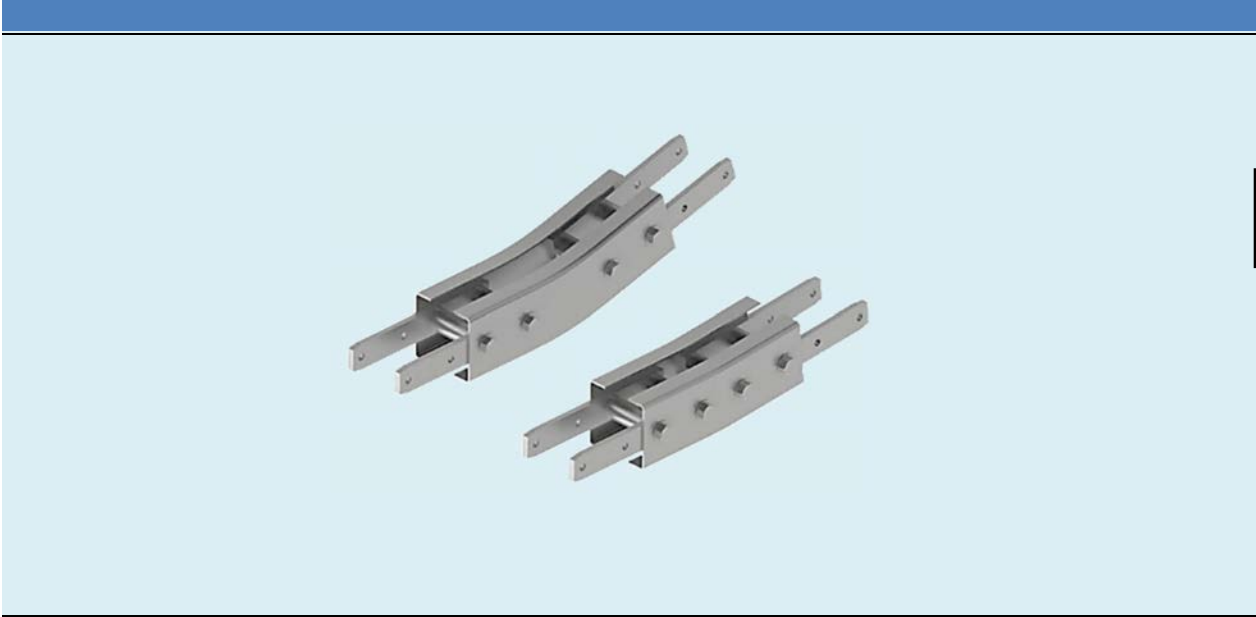
Horizontal plain bend, 90°
Radius to centre of beam:

FMBPX 90R500
FMBPX 90R700 R500
FMBPX 90R1000 R700
R1000



* Note: Special angles on request.

Vertical bend, FMX



FMX

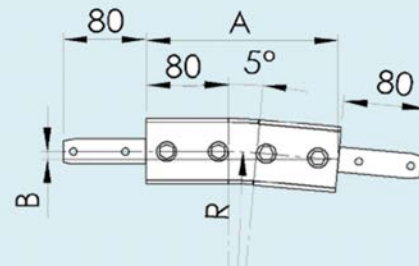
Vertical bend, FMX

FMX

Vertical bend, 5°

Radius to centre of beam:

FMBVX 5R400 R=400 mm

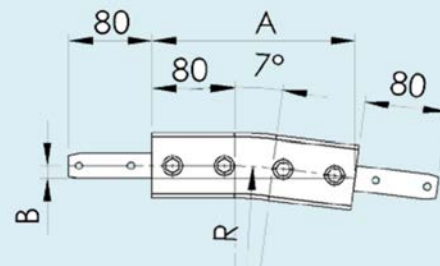


	R	A	B
FMBVX 5R400	400	195	9

Vertical bend, 7°

Radius to centre of beam:

FMBVX 7R400 R=400 mm



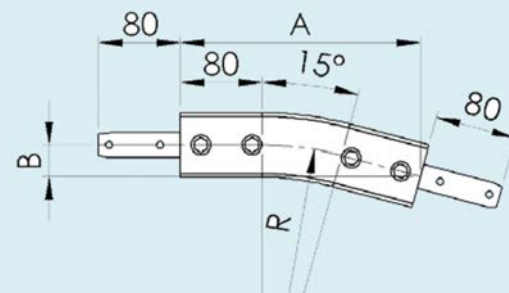
	R	A	B
FMBVX 7R400	400	208	13

Vertical bend, 15°

Radius to centre of beam:

FMBVX 15R400 R=400 mm

FMBVX 15R700 R=700 mm



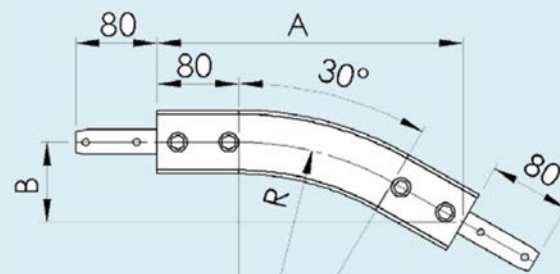
	R	A	B
FMBVX 15R400	400	261	34
FMBVX 15R700	700	338	45

Vertical bend, 30°

Radius to centre of beam:

FMBVX 30R400 R=400 mm

FMBVX 30R700 R=700 mm



	R	A	B
FMBVX 30R400	400	349	94
FMBVX 30R700	700	449	134

* Note: Special angles on request.

Stainless - 35

Vertical bend, FMX

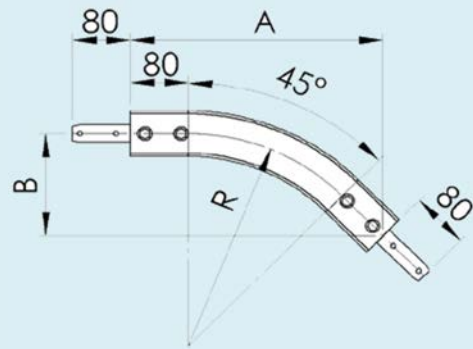
FMX

Vertical bend, 45°

Radius to centre of beam:

FMBVX 45R400 R=400 mm

FMBVX 45R1000 R=1000 mm



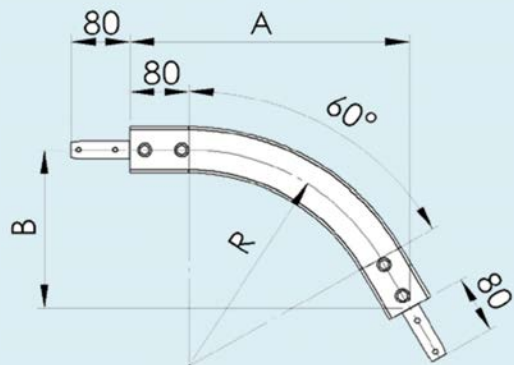
	R	A	B
FMBVX 45R400	400	419	174
FMBVX 45R1000	1000	844	350

Vertical bend, 60°

Radius to centre of beam:

FMBVX 60R400 R=400 mm

FMBVX 60R1000 R=1000 mm



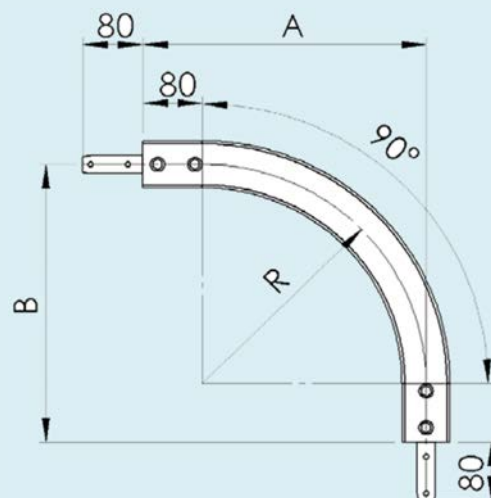
	R	A	B
FMBVX 60R400	400	466	269
FMBVX60R1000	1000	986	569

Vertical bend, 90°

Radius to centre of beam:

FMBVX 90R400 R=400 mm

FMBVX 90R1000 R=1000 mm



	R	A	B
FMBVX 90R400	400	480	480
FMVBX90R1000	1000	1080	1080

* Note: Special angles on request.

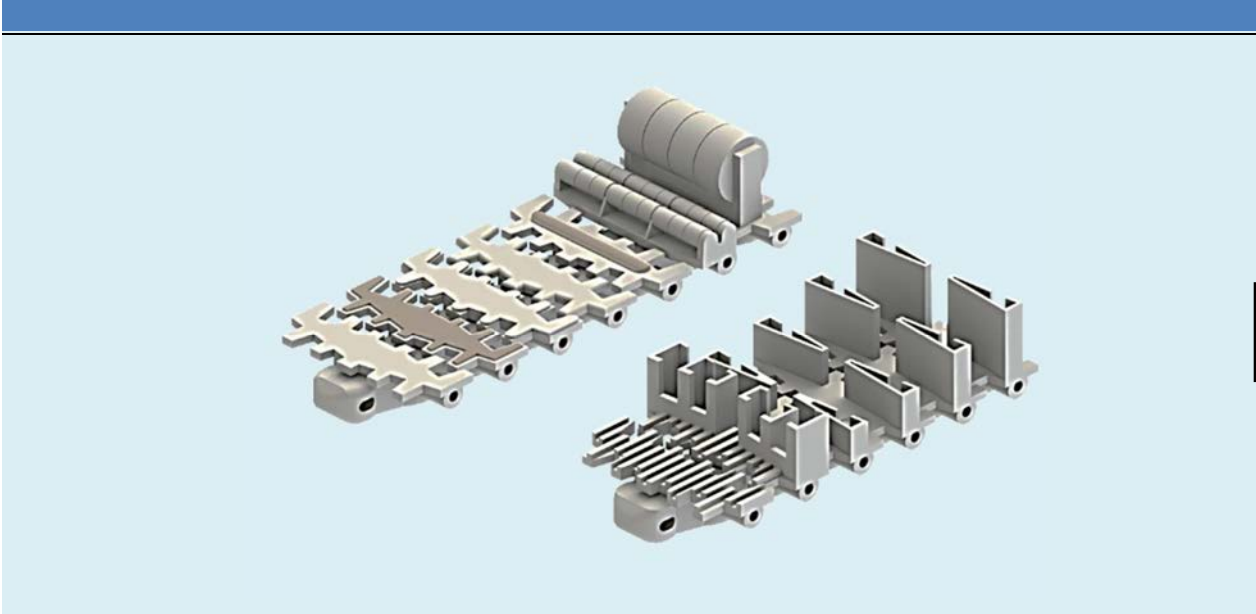
Stainless - 36

Stainless steel conveyor system, FHX

FHX

Contents	
Chains	38
Conveyor beam	41
End drive units	43
Idler unit	45
Horizontal wheel bends	46
Horizontal plain bends	49
Vertical bends	51

Chains, FHX



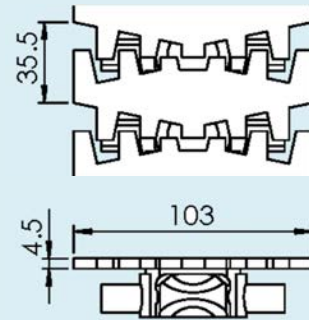
FHX

Chains, FHX

Plain chain

FHTP 5 Plain chain
Length 5 mt

FHTL 103 Plain link

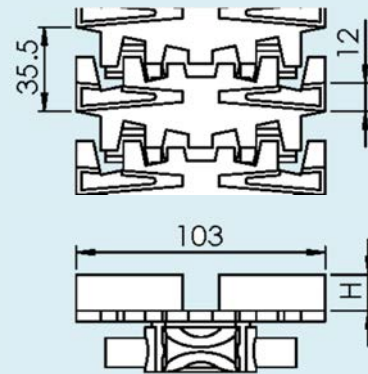


FHX

Cleated chain

FHTF 5X15 A... Type A Length 5mt
H=15 mm
FHTF 5X20 A... H=20 mm
FHTF 5X30 A... H=30 mm
FHTF 5X40 A... H=40 mm

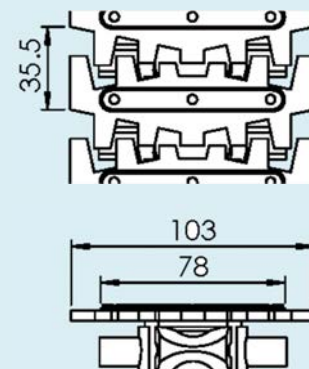
FHTL 103X15 A Cleated link
H=15 mm
FHTL 103X20 A H=20 mm
FHTL 103X30 A H=30 mm
FHTL 103X40 A H=40 mm



Friction top chain

FHTP 5 F... Friction top chain
Length 5 mt

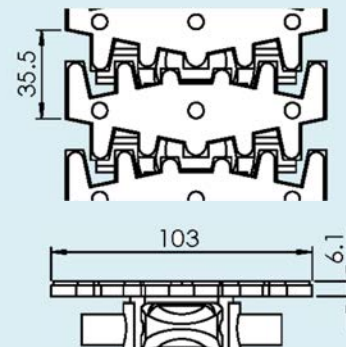
FHTL 103 F Friction top link



Steel top chain

FHTP 5 TF Steel top chain
Length 5 mt

FHTL 103 TF Steel top link

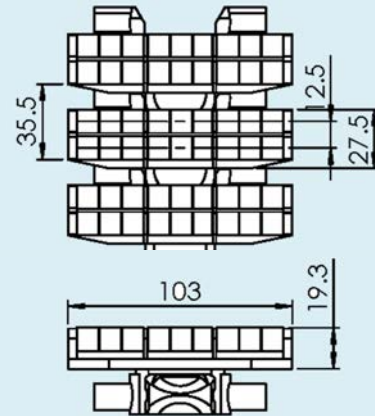


Chains, FHX

FHX

FHTR 5 Roller top chain
Length 5 mt

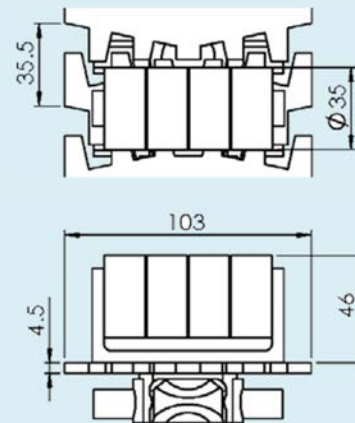
FHTL 103 R Roller top link
This link cannot be combined with plain links.



FHTF 5X46 R... Chain with roller cleats, Length 5 mt

FHTL 103X46 R Link with roller cleats

Note. This type of chain requires minimum. One plain link between every cleated link.



Tools and accessories

FHTT 18X19 Plastic pivot

FHTD 6X70 Steel pin

FBMJ 6P Pin insertion tool

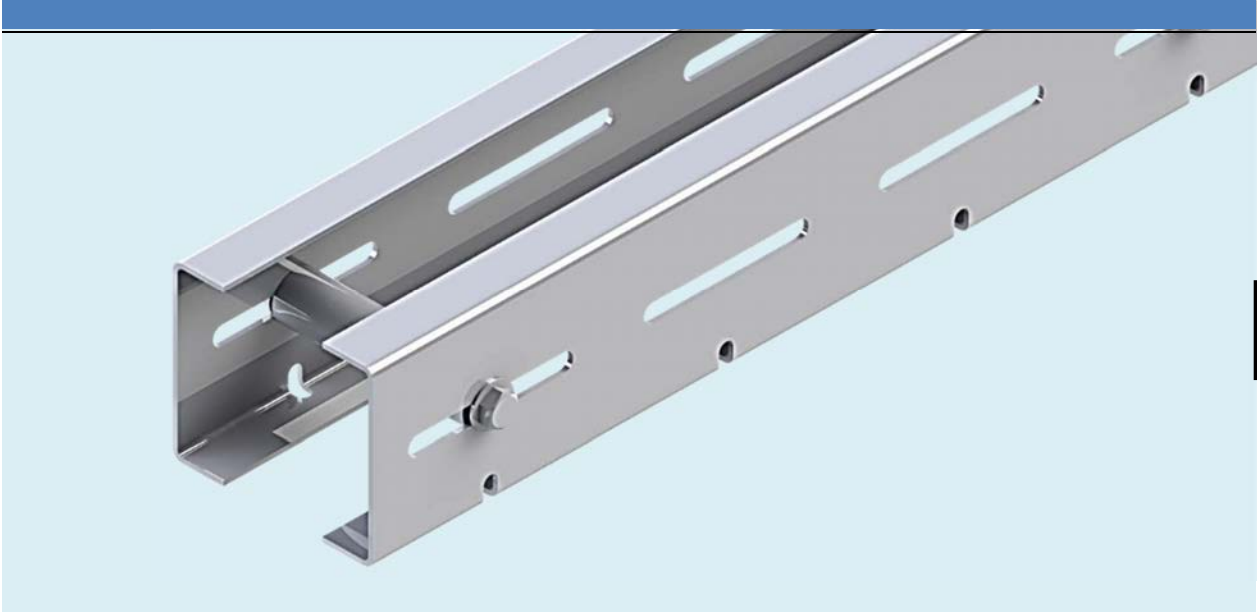
FHMJ 6 Pin insertion tool

FDSS 450 Silicone-based lubricant

FBMJ 6P

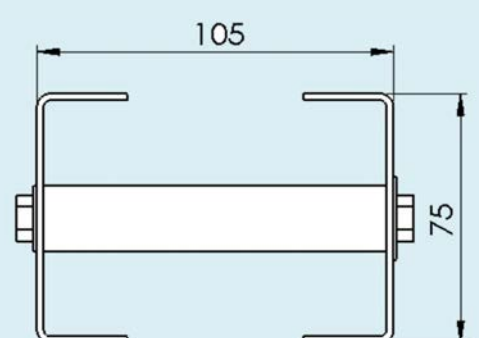



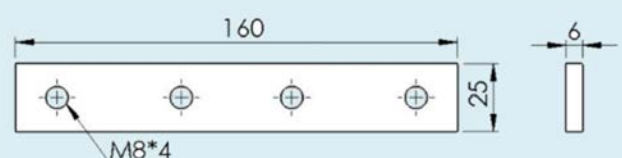
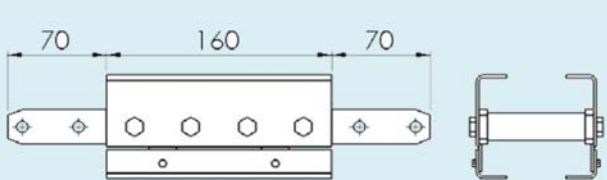

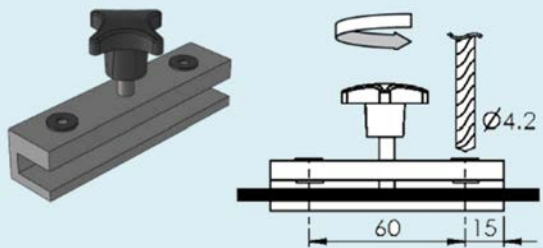
FHMJ 6

Conveyor beam, FHX

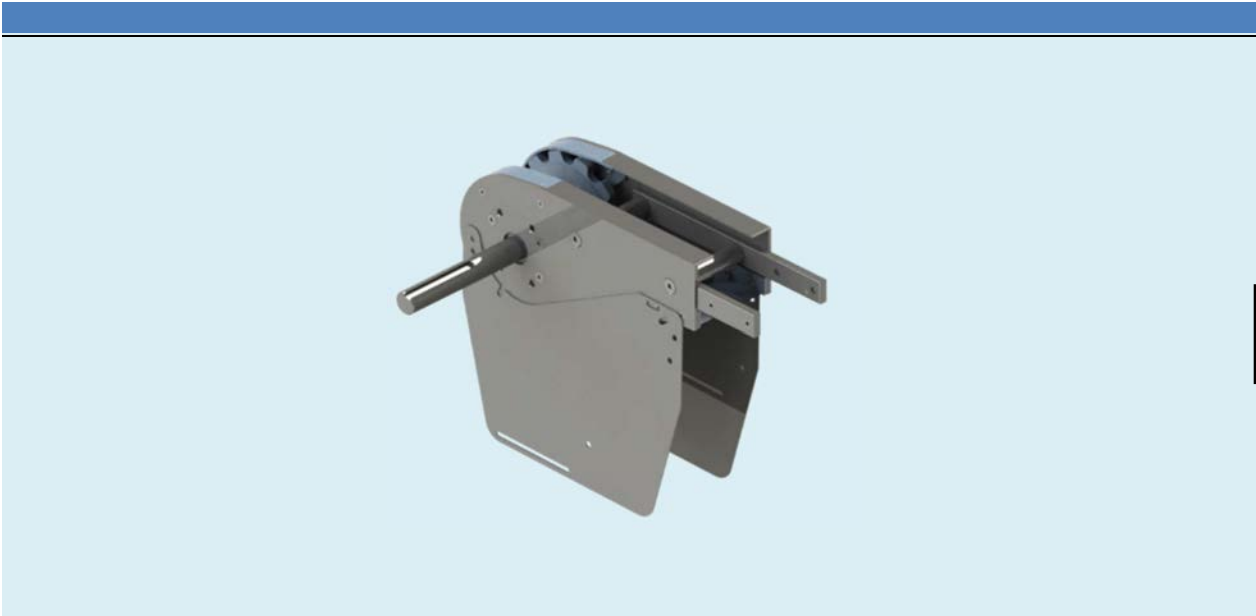


Conveyor beam, FHX

FHX

<p>Beam FHCBX 3 Length 3 m</p>	
<p>Slide rail Length 25 m</p> <p>FLCR 25 HDPE Black FLCR 25U UHMW White FLCR 25P PVDF White FLCR 25H HDPE+PE6 Gray</p> <p>FLAH 4X8S Stainless rivet FLAG 5 Plastic screw</p>	<p>FLCR 25 FLCR 25H FLCR 25U/FLCR 25P</p>  <p>FLAH 4X8S FLAG 5</p>  
<p>FLCJX 6X160 Length 3 m</p>	
<p>FHCCX 160 For conveyor FH</p>	
<p>FHMR 200 Mounting tool</p>	
<p>F3920500 Drill fixture for slide rail</p>	

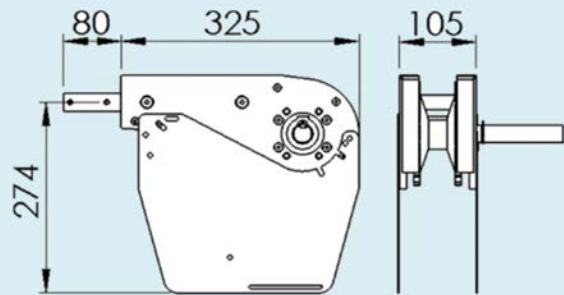
End drive unit, FHX



FHX

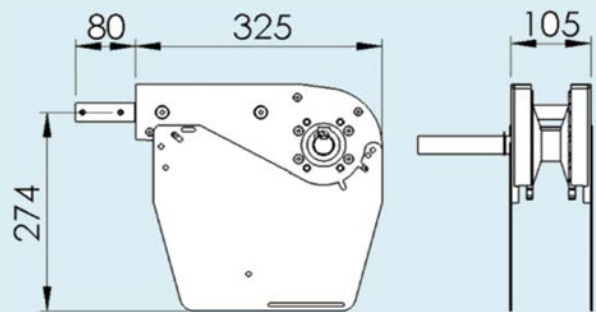
End drive unit, FHX

FHEBX 0HLU Drive unit, basic unit
Transmission on left-hand side

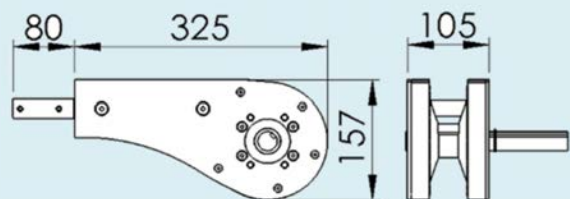


FHX

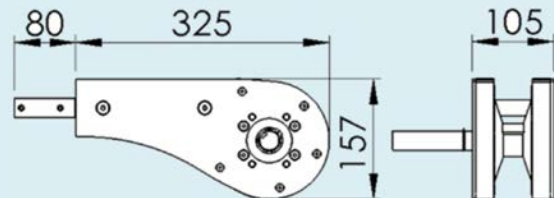
FHEBX 0HRU Drive unit, basic unit
Transmission on right-hand side



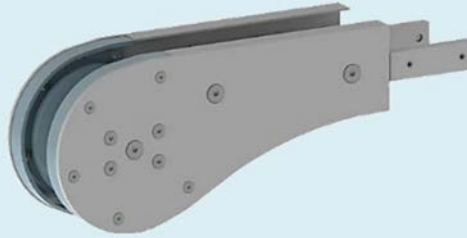
FHEBX 0HLGU Drive unit, basic unit
Direct drive without slack, left-hand side



FHEBX 0HRGU Drive unit, basic unit
Direct drive without slack, right-hand side



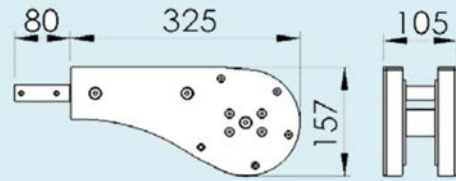
Idler end unit, FHX



FHX

FHEJX 325

Idler end unit



Horizontal wheel bend, FHX

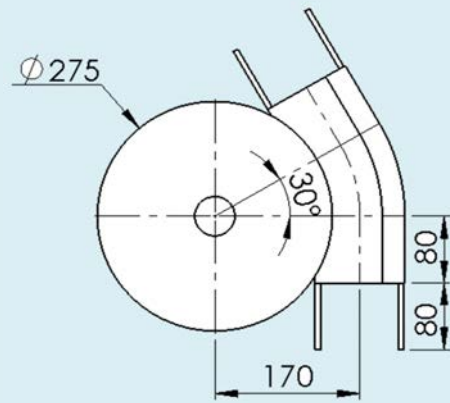


FHX

Horizontal wheel bend, FHX

Horizontal wheel bend, 30°

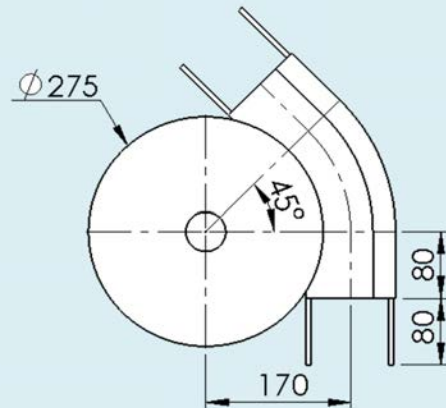
FHBHX 30R170 Radius to centre of chain 170 mm



FHX

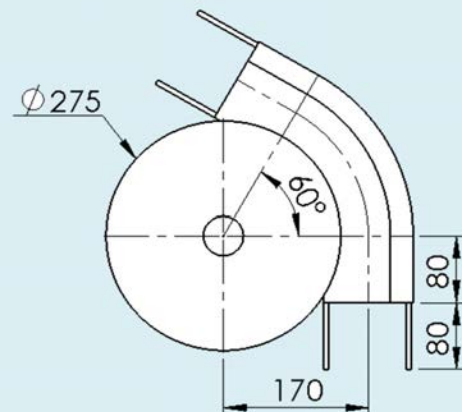
Horizontal wheel bend, 45°

FHBHX 45R170 Radius to centre of chain 170 mm



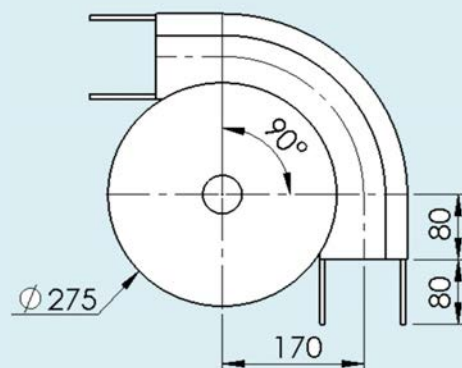
Horizontal wheel bend, 60°

FHBHX 60R170 Radius to centre of chain 170 mm



Horizontal wheel bend, 90°

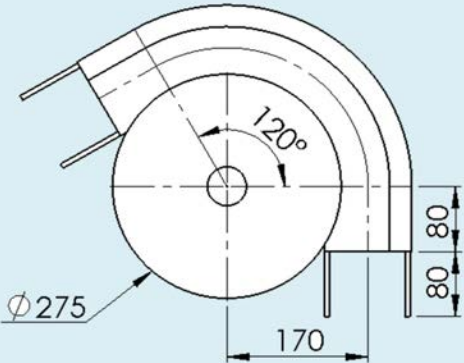
FHBHX 90R170 Radius to centre of chain 170 mm



Horizontal wheel bend, FHX

Horizontal wheel bend, 120°

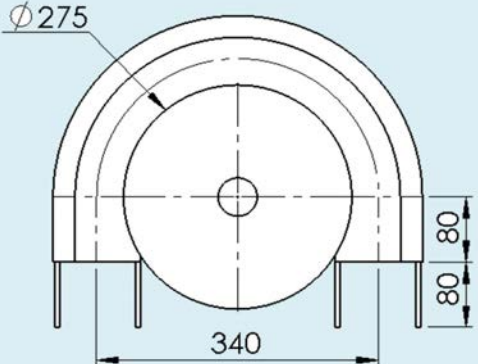
FHBHX 120R170 Radius to centre of chain 170 mm



FHX

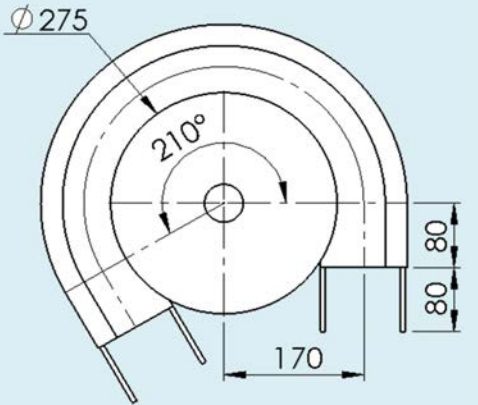
Horizontal wheel bend, 180°

FHBHX 180R170 Radius to centre of chain 170 mm

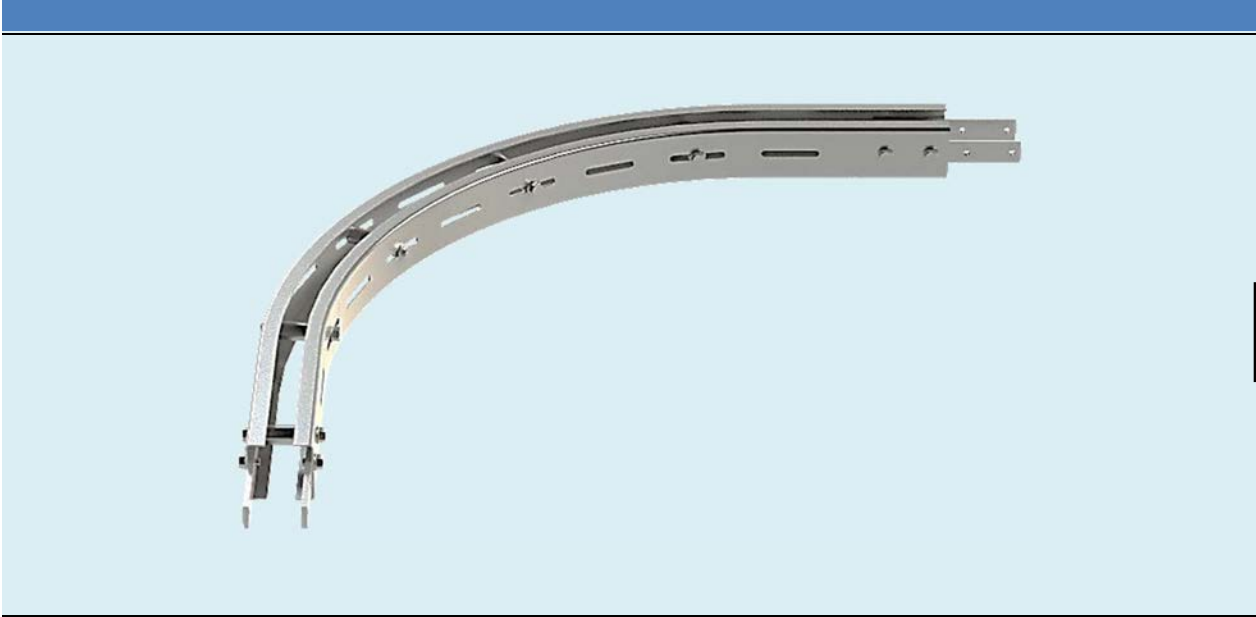


Horizontal wheel bend, 210°

FHBHX 210R170 Radius to centre of chain 170 mm



Horizontal plain bend, FHX

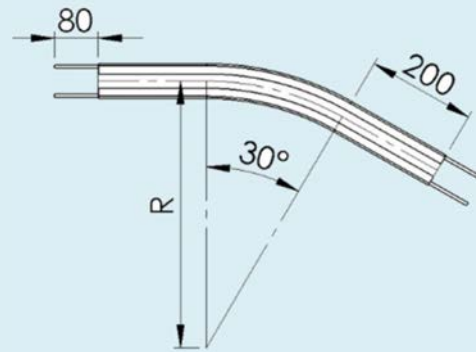


FHX

Horizontal plain bend, FHX

Horizontal plain bend, 30°
Radius to centre of beam:

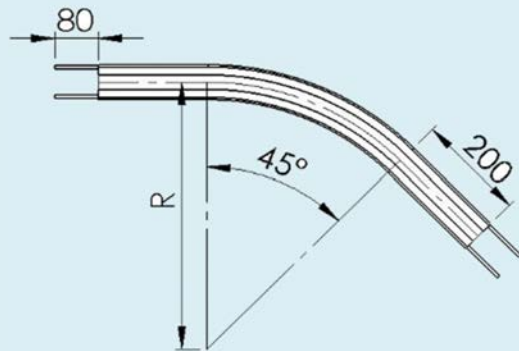
FHBPX 30R500 R500
FHBPX 30R700 R700
FHBPX 30R1000 R1000



FHX

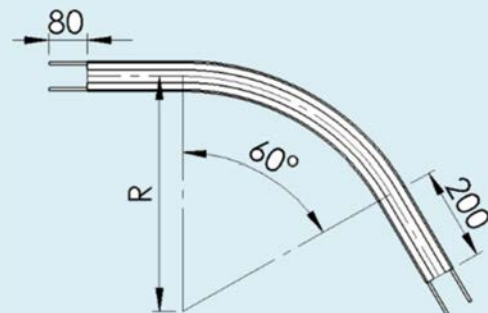
Horizontal plain bend, 45°
Radius to centre of beam:

FHBPX 45R500 R500
FHBPX 45R700 R700
FHBPX 45R1000 R1000



Horizontal plain bend, 60°
Radius to centre of beam:

FHBPX 60R500 R500
FHBPX 60R700 R700
FHBPX 60R1000 R1000

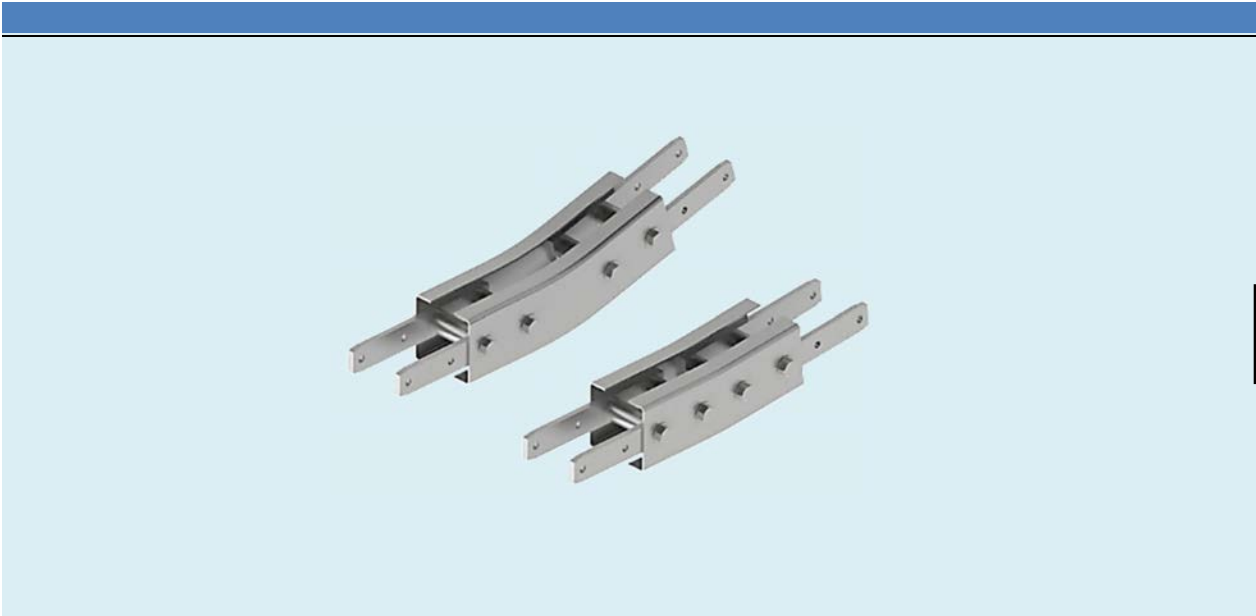


Horizontal plain bend, 90°
Radius to centre of beam:

FHBPX 90R500 R500
FHBPX 90R700 R700
FHBPX 90R1000 R1000

* Note: Special angles on request.

Vertical bend, FHX



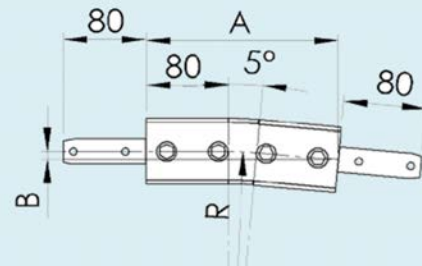
FHX

Vertical bend, FHX

Vertical bend, 5°

Radius to centre of beam:

FHBVX 5R400 R=400 mm

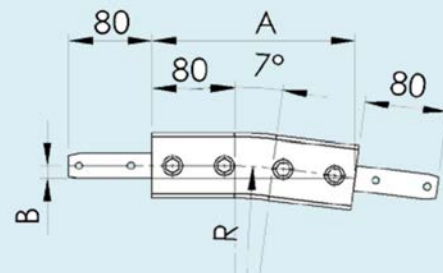


	R	A	B
FHBVX 5R400	400	195	9

Vertical bend, 7°

Radius to centre of beam:

FHBVX 7R400 R=400 mm



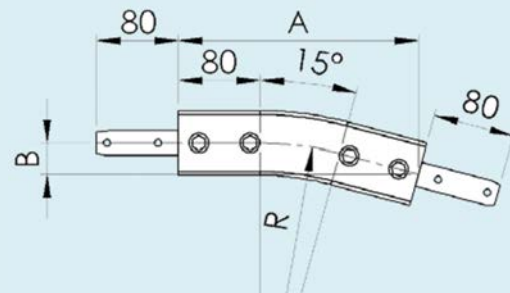
	R	A	B
FHBVX 7R400	400	208	13

Vertical bend, 15°

Radius to centre of beam:

FHBVX 15R400 R=400 mm

FHBVX 15R700 R=700 mm



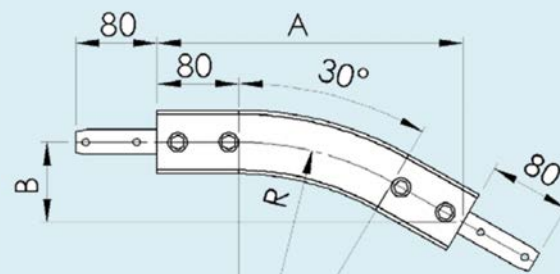
	R	A	B
FHBVX 15R400	400	261	34
FHBVX 15R700	700	338	45

Vertical bend, 30°

Radius to centre of beam:

FHBVX 30R400 R=400 mm

FHBVX 30R700 R=700 mm



	R	A	B
FHBVX 30R400	400	349	94
FHBVX 30R700	700	449	134

* Note: Special angles on request.

Stainless - 52

FHX

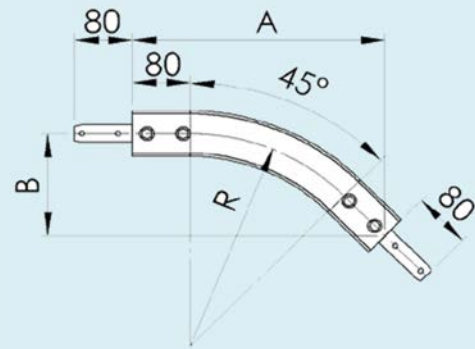
Vertical bend, FHX

Vertical bend, 45°

Radius to centre of beam:

FHBVX 45R400 R=400 mm

FHBVX 45R1000 R=1000 mm



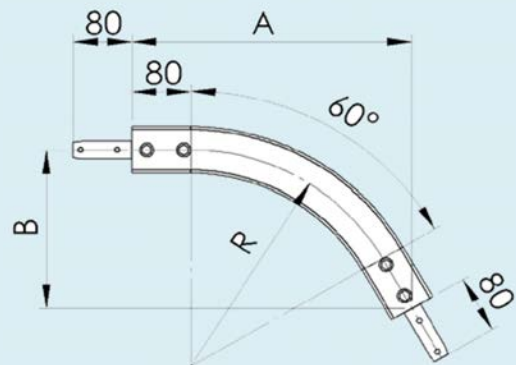
	R	A	B
FHBVX 45R400	400	419	174
FHBVX 45R1000	1000	844	350

Vertical bend, 60°

Radius to centre of beam:

FHBVX 60R400 R=400 mm

FHBVX 60R1000 R=1000 mm



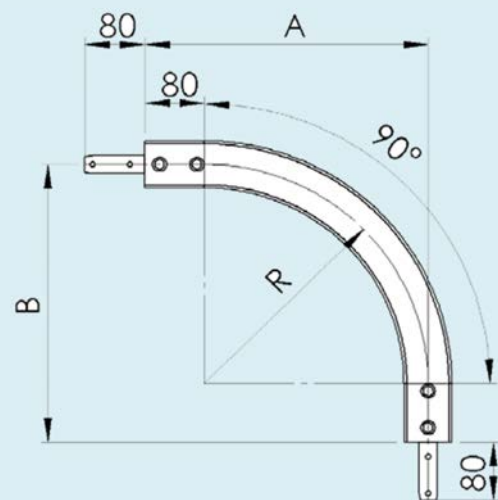
	R	A	B
FHBVX 60R400	400	466	269
FHBVX60R1000	1000	986	569

Vertical bend, 90°

Radius to centre of beam:

FHBVX 90R400 R=400 mm

FHBVX 90R1000 R=1000 mm



	R	A	B
FHBVX 90R400	400	480	480
FHBVX90R1000	1000	1080	1080

* Note: Special angles on request.

Stainless - 53

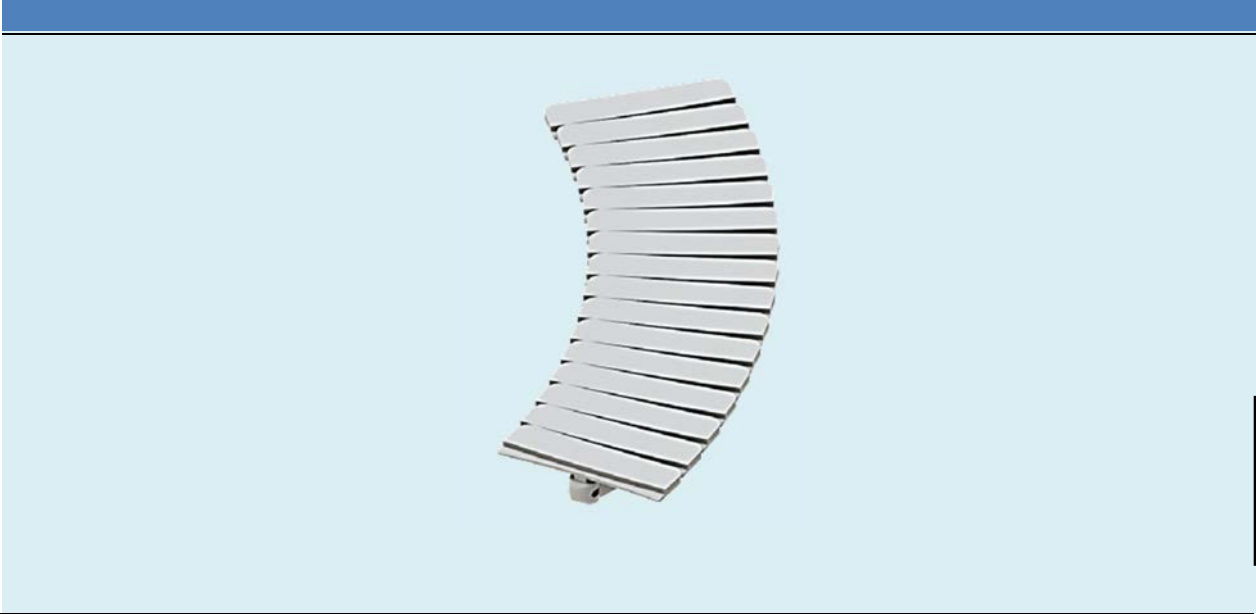
FHX

Stainless steel conveyor system, FBX175

FBX175

Contents	
Chains	55
Conveyor beam	57
End drive units	59
Idler unit	60
Horizontal plain bends	61
Vertical bends	63

Chains, FBX175



FBX175

Chains, FBX175

Plain chain

FBTP 3A175 Plain chain
Length 5 mt

FBTL 175 Plain link

FBTP 3A175 A Plain chain
Length 5 mt

FBTL 175 A Plain link

Friction top chain

FBTP 3A175 F Friction top chain
Length 5 mt

FBTL 175 F Friction top link

FBTP 3A175 AF Friction top chain
Length 5 mt

FBTL 175 AF Friction top link

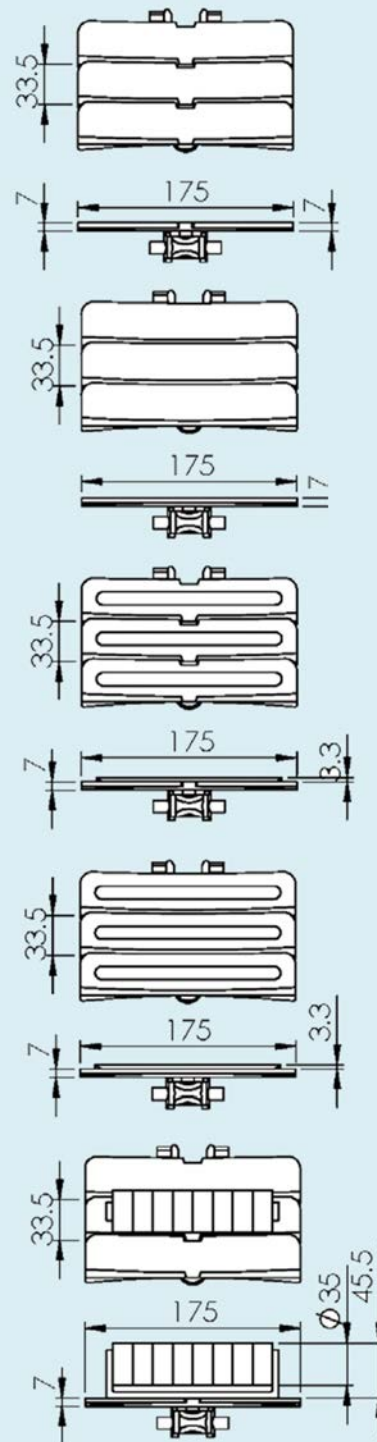
FBTL 175X46R Roller top chain

See Note Plain link

Note. This type of chain requires minimum .One plain link between every cleated link.

Tools and accessories

FBTT 13X16 **FMTD 6X50**
FMTT 13X16 **FBMJ 6P FBMJ 6**



FBX175

Chains, FBX175

450

Plastic pivot
Plastic pivot
Steel pin
Pin insertion tool
Pin insertion tool
Silicone-based
lubricant

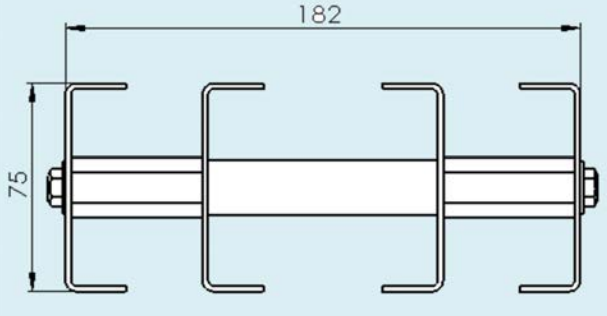
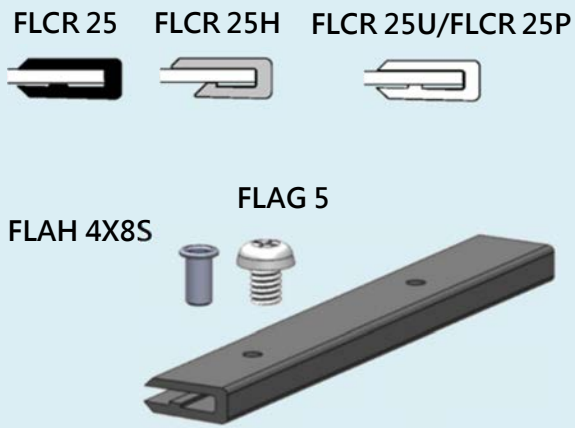
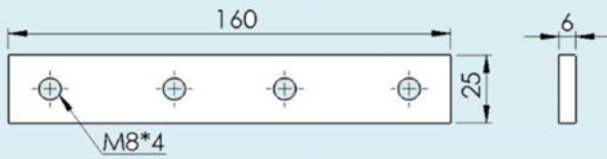

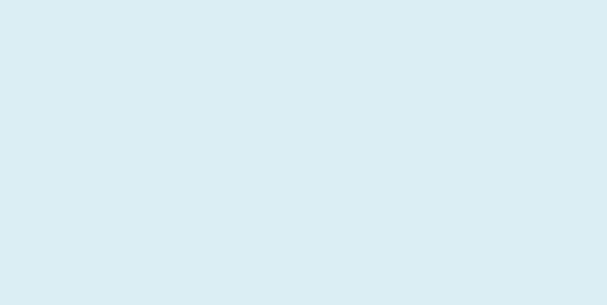
FBMJ 6

Conveyor beam, FBX175



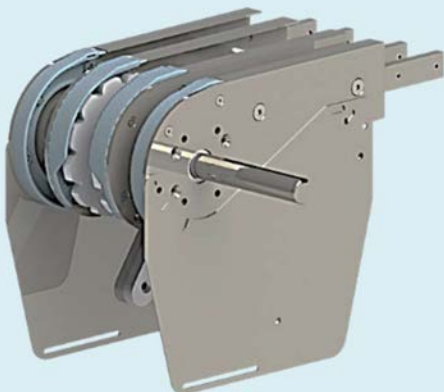
FBX175

Conveyor beam, FBX175

<p>Beam FBCBX 3A175 Length 3 m</p>	
<p>Slide rail Length 25 m</p> <p>FLCR 25 HDPE Black FLCR 25U UHMW White FLCR 25P PVDF White FLCR 25H HDPE+PE6 Gray</p> <p>FLAH 4X8S Stainless rivet FLAG 5 Plastic screw</p>	
<p>FLCJX 6X160 Length 3 m</p>	
<p>FBMR 170 Mounting tool</p>	
<p>F3920500 Drill fixture for slide rail</p>	

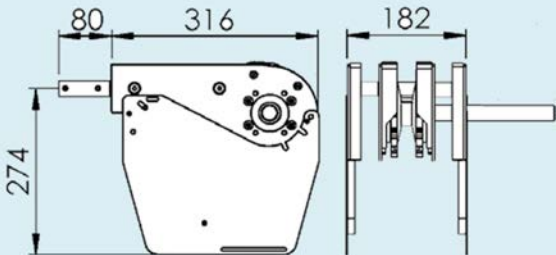
FBX1 5

End drive unit, FBX175

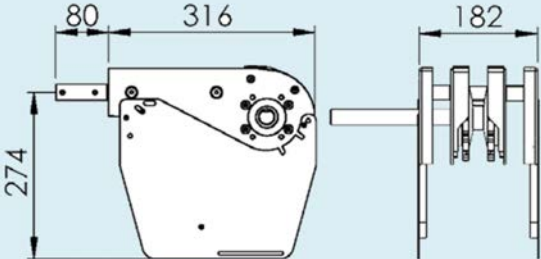


FBX175

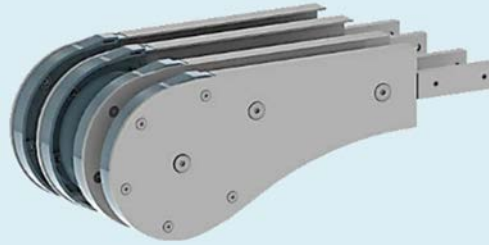
FBEBX 0A175LU Drive unit, basic unit
Transmission on left-hand side



FBEBX 0A175RU Drive unit, basic unit
Transmission on right-hand side



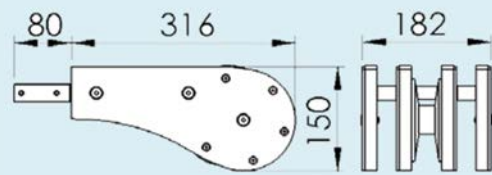
Idler end unit, FBX175



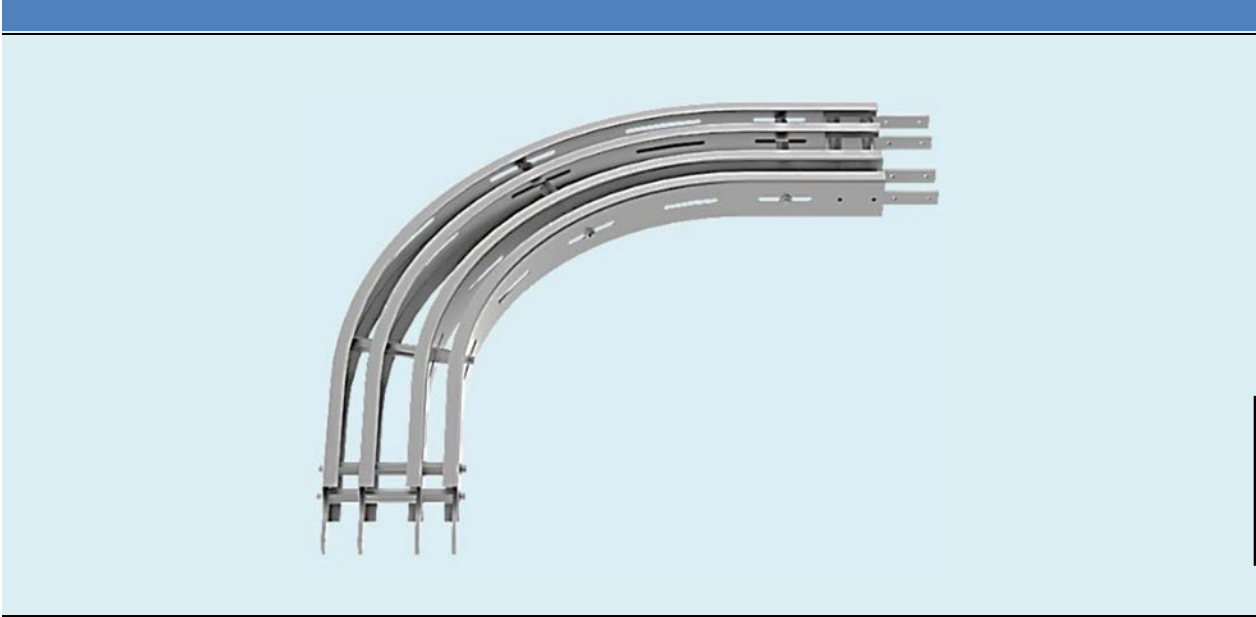
FBX175

FBEJX 175

Idler end unit



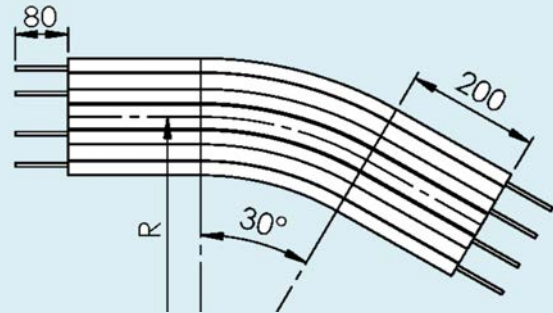
Horizontal plain bend, FBX175



Horizontal plain bend, FBX175

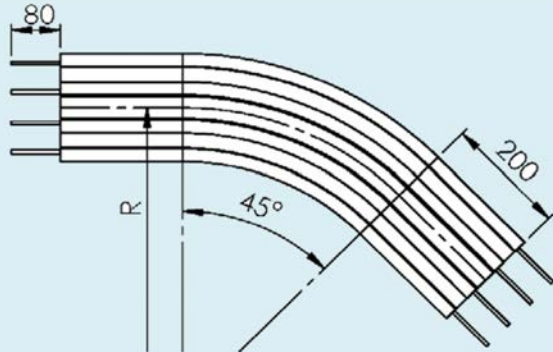
Horizontal plain bend, 30°
Radius to centre of beam:

FBBPX 30A175R500	R500
FBBPX 30A175R700	R700
FBBPX 30A175R1000	R1000



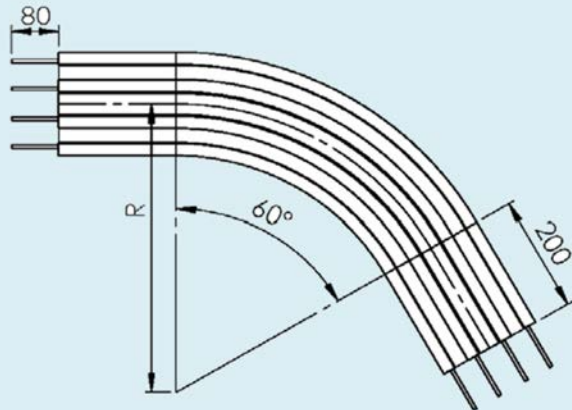
Horizontal plain bend, 45°
Radius to centre of beam:

FBBPX 45A175R500	R500
FBBPX 45A175R700	R700
FBBPX 45A175R1000	R1000



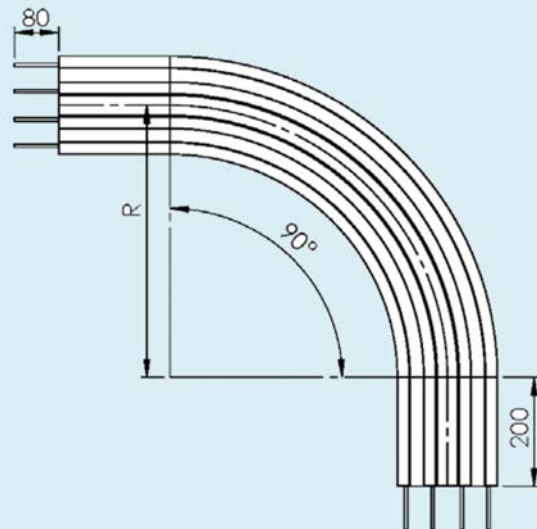
Horizontal plain bend, 60°
Radius to centre of beam:

FBBPX 60A175R500	R500
FBBPX 60A175R700	R700
FBBPX 60A175R1000	R1000



Horizontal plain bend, 90°
Radius to centre of beam:

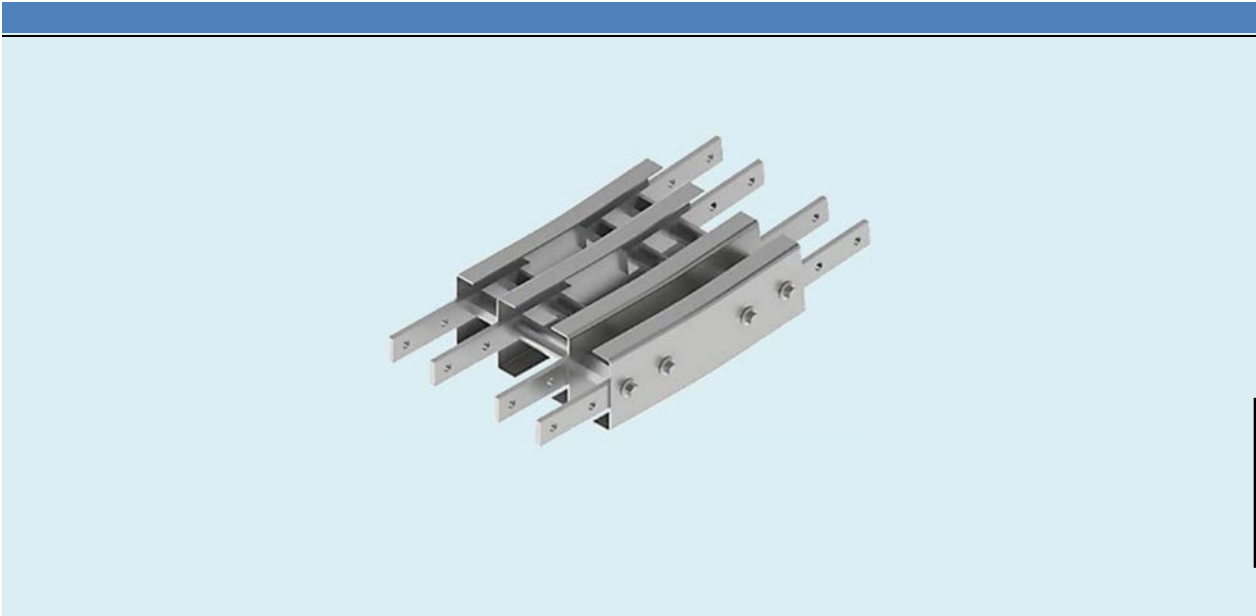
FBBPX 90A175R500	R500
FBBPX 90A175R700	R700
FBBPX 90A175R1000	R1000



FBX175

* Note: Special angles on request.

Vertical bend, FBX175



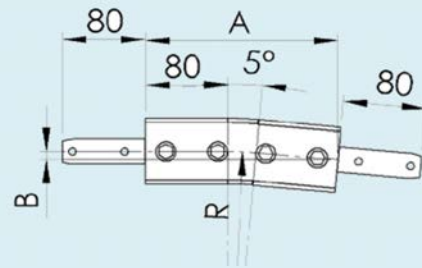
FBX175

Vertical bend, FBX175

Vertical bend, 5°

Radius to centre of beam:

FBBVX 5A175R750 R=750 mm

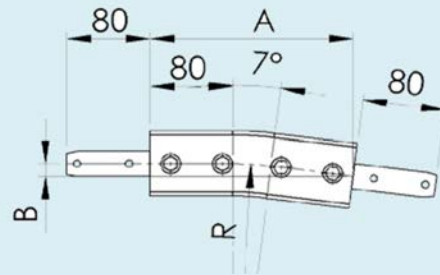


	R	A	B
FBBVX 5A175R750	750	225	10

Vertical bend, 7°

Radius to centre of beam:

FBBVX 7A175R750 R=750 mm



	R	A	B
FBBVX 7A175R750	750	251	15

FBX175

Stainless steel conveyor system, FBX295

FBX295

Contents	
Chains	66
Conveyor beam	68
End drive units	70
Idler unit	71
Horizontal plain bends	72
Vertical bends	74

Chains, FBX295



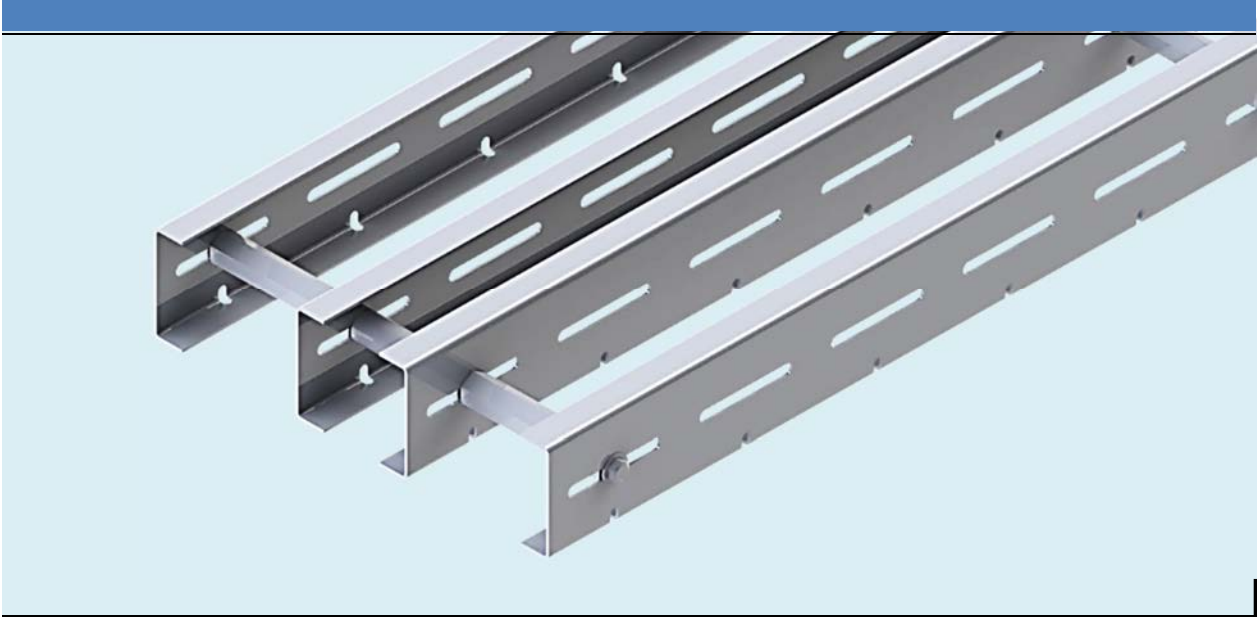
FBX295

Chains, FBX295

<i>Plain chain</i>		
FBTP 3A295	Plain chain Length 5 mt	
FBTL 295	Plain link	
<i>Friction top chain</i>		
FBTP 3A295 F	Friction top chain Length 5 mt	
FBTL 295 F	Friction top link	
<i>Plain chain</i>		
FBTP 3A295 A	Plain chain Length 5 mt	
FBTL 295 A	Plain link	
<i>Friction top chain</i>		
FBTP 3A295 AF	Friction top chain Length 5 mt	
FBTL 295 AF	Friction top link	
<i>Tools and accessories</i>		<div style="display: flex; justify-content: space-around; align-items: center;"> <div style="text-align: center;"> <p>FBMJ 6P</p> <p>FBMJ 6</p> </div> <div style="text-align: center;"> <p>FBMJ 6P</p> <p>FBMJ 6</p> </div> </div>
FBTT 13X16	Plastic pivot	
FMTT 13X16	Plastic pivot	
FMTD 6X50	Steel pin	
FBMJ 6P	Pin insertion tool	
FBMJ 6	Pin insertion tool	
FDSS 450	Silicone-based lubricant	

FBX295

Conveyor beam, FBX295

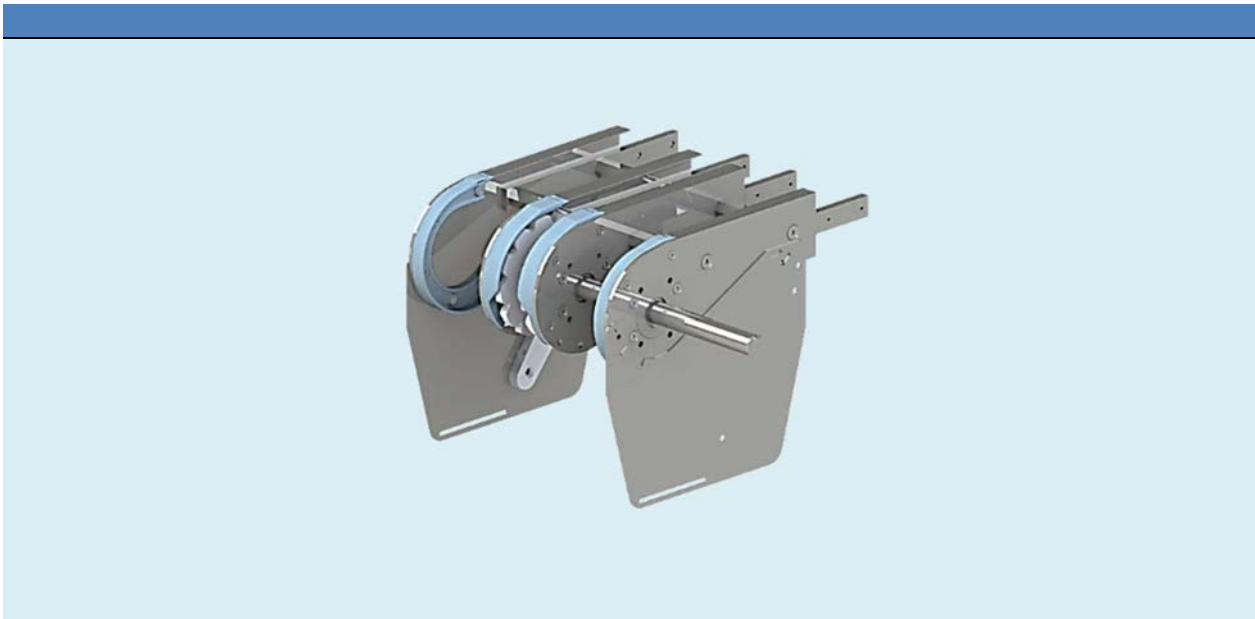


FBX295

Conveyor beam, FBX295

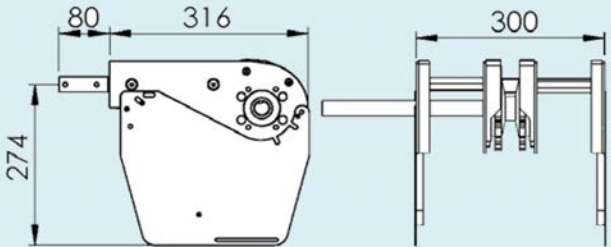
Beam	FBCBX 3A295 Length 3 m		
Slide rail	Length 25 m	<p>FLCR 25 FLCR 25H FLCR 25U/FLCR 25P</p> <p>FLAH 4X8S FLAG 5</p>	
<p>FLCR 25 FLCR 25U FLCR 25P FLCR 25H</p>	<p>HDPE Black UHMW White PVDF White HDPE+PE6 Gray</p>	FBX295	
<p>FLAH 4X8S FLAG 5</p>	<p>Stainless rivet Plastic screw</p>		
FLCJX 6X160	Length 3 m		
FBMR 170	Mounting tool		
F3920500	Drill fixture for slide rail		

End drive unit, FBX295



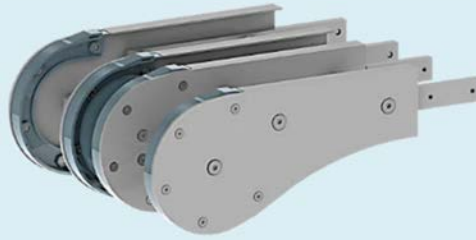
FBEBX 0A295LU Drive unit, basic unit
Transmission on left-hand side

FBEBX 0A295RU Drive unit, basic unit
Transmission on right-hand side



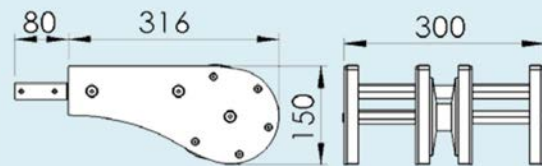
FBX295

Idler end unit, FBX295



FBEJX 295

Idler end unit



FBX295

Idler end unit, FBX295

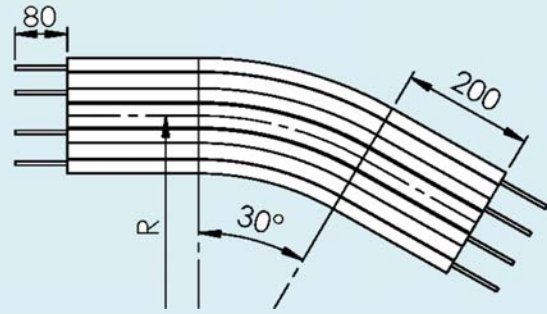


FBX295

Horizontal plain bend, FBX295

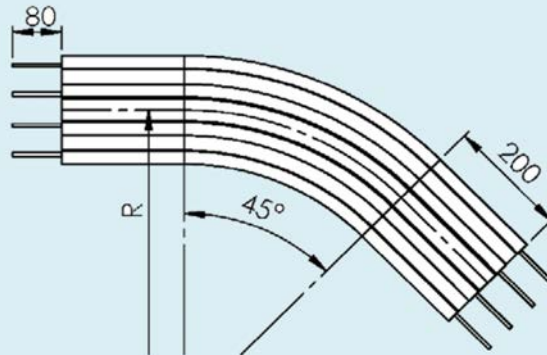
Horizontal plain bend, 30°
Radius to centre of beam:

- FBBPX 30A295R700** R700
- FBBPX 30A295R1000** R1000



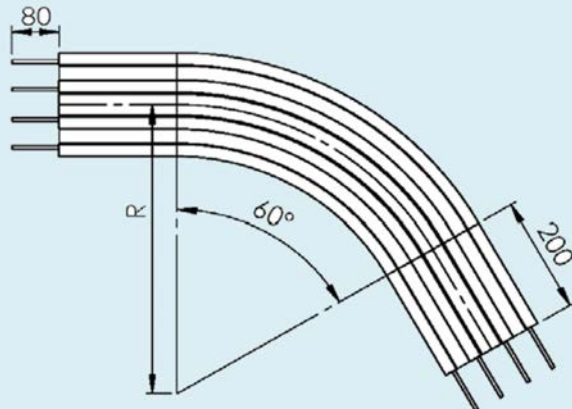
Horizontal plain bend, 45°
Radius to centre of beam:

- FBBPX 45A295R700** R700
- FBBPX 45A295R1000** R1000



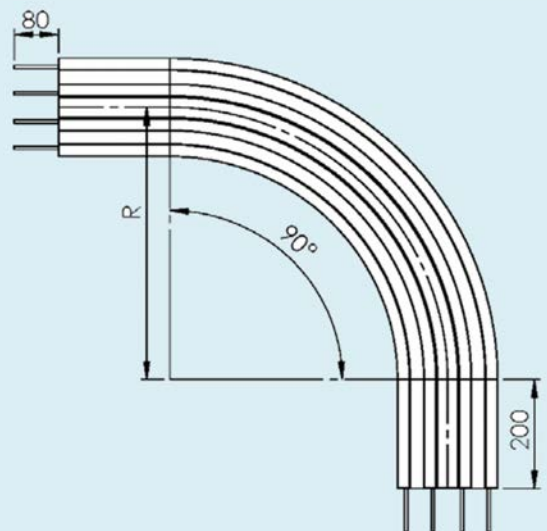
Horizontal plain bend, 60°
Radius to centre of beam:

- FBBPX 60A295R700** R700
- FBBPX 60A295R1000** R1000



Horizontal plain bend, 90°
Radius to centre of beam:

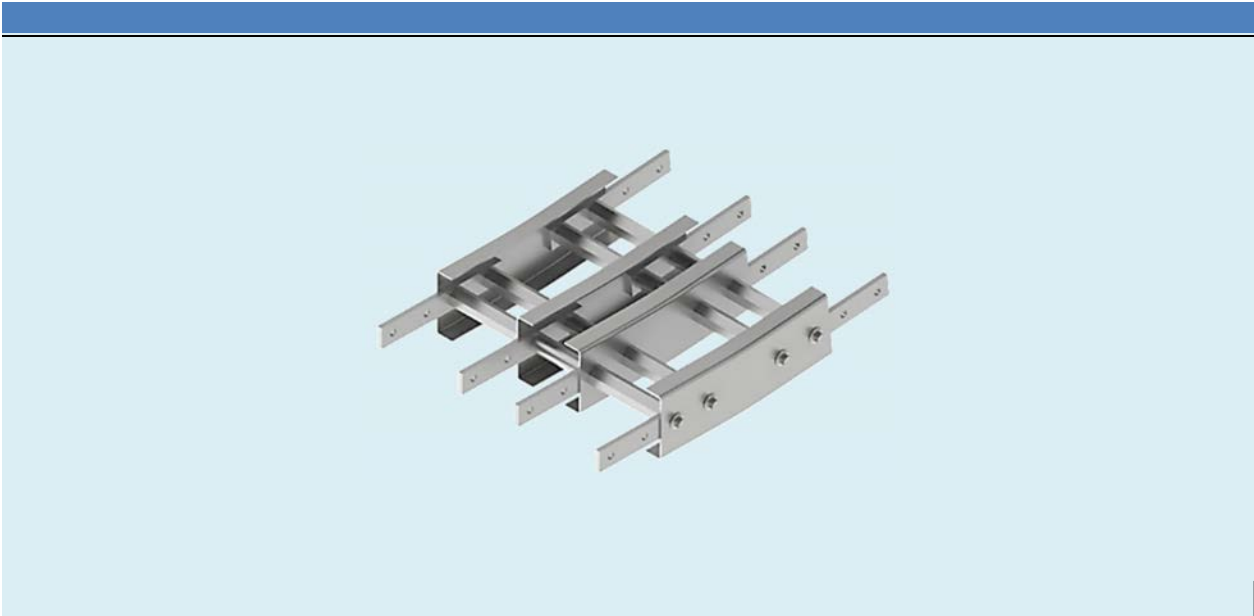
- FBBPX 90A295R500** R500
- FBBPX 90A295R700** R700
- FBBPX 90A295R1000** R1000



FBX295

* Note: Special angles on request.

Vertical bend, FBX295



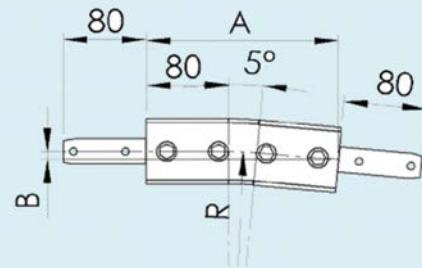
FBX295

Vertical bend, FBX295

Vertical bend, 5°

Radius to centre of beam:

FBBVX 5A295R750 R=750 mm

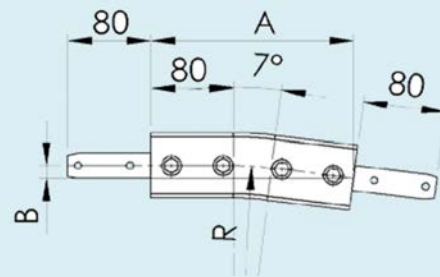


	R	A	B
FBBVX 5A295R750	750	225	10

Vertical bend, 7°

Radius to centre of beam:

FBBVX 7A295R750 R=750 mm



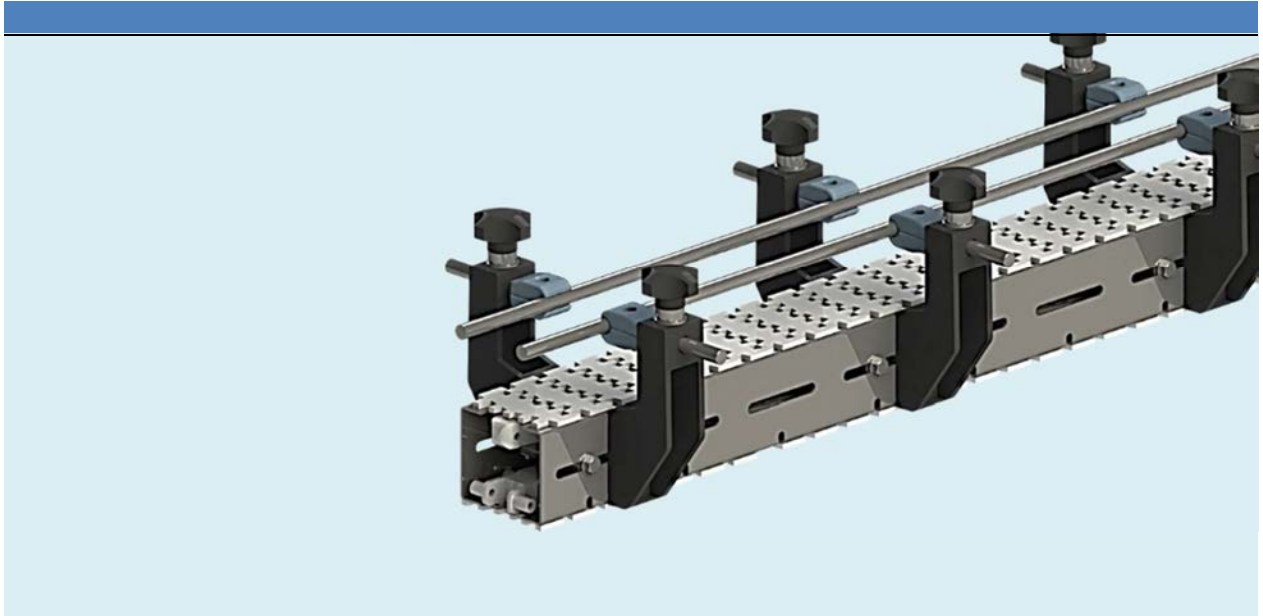
	R	A	B
FBBVX 7A295R750	750	251	15

FBX295

* Note: Special angles on request.

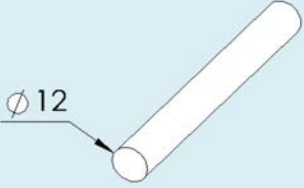
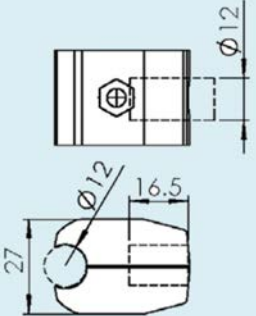
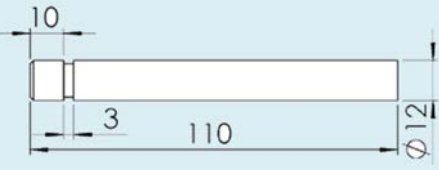
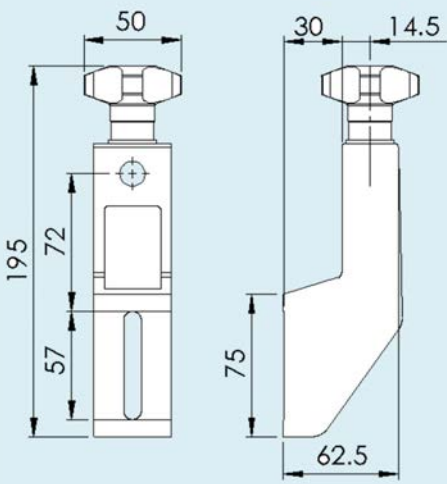
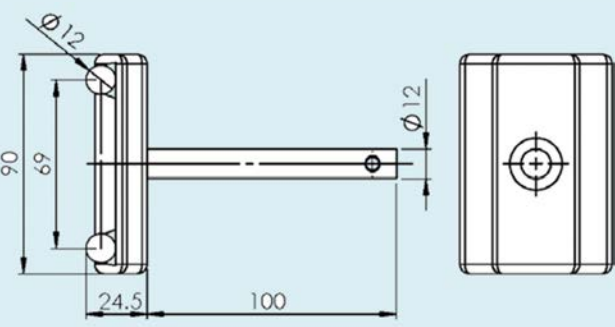
Stainless - 75

Adjustable guide rail brackets



ACC

Adjustable guide rail brackets

<p>Tubular guide rail Stainless steel</p> <p>F5048965 Length 3m</p>	
<p>FLRK 12DE Guide rail clamp</p>	
<p>F5050986 Guide rail clamp rod</p>	
<p>FLRF 30x71K Guide rail bracket</p>	
<p>Guide rail clamp, double</p> <p>FLRK 12x100 D69</p> <p>Including stainless steel rod, screw and nut. Suitable guide rail type : 12 mm steel rod type F5048965. For use with bracket support FLRF 30x71K</p>	

ACC

Support beam

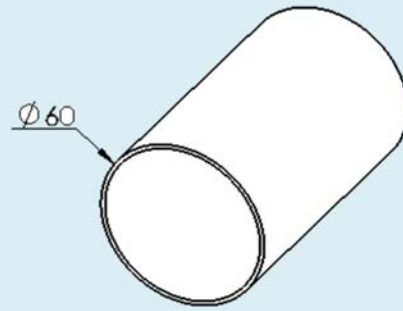


ACC

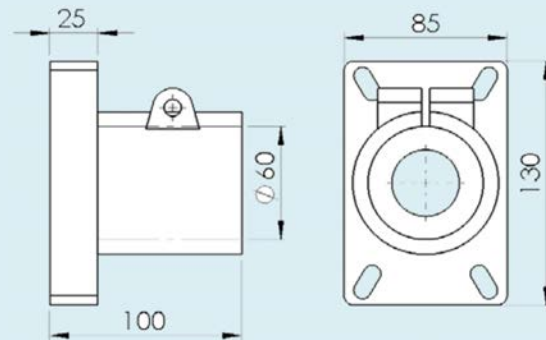
Support beam

Support profile
Stainless steel

FCBMX 3X60 Length 3m



FCFC 60X85X130 Connector plate

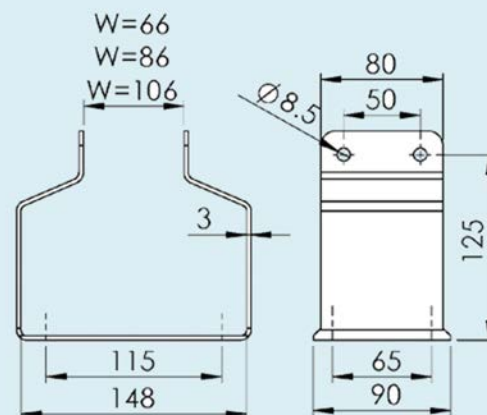


Beam support bracket

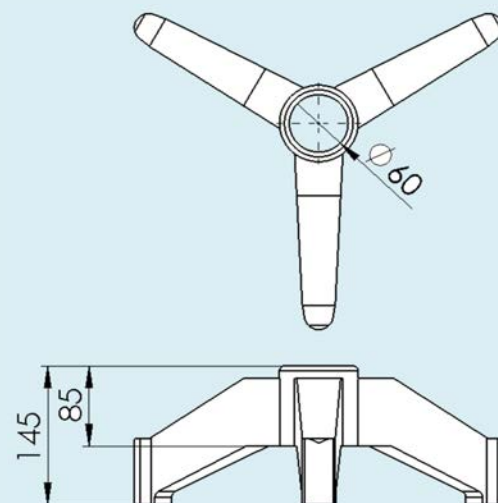
FLCTX 125 W=66 mm

FMCTX 125 W= 86 mm

FHCTX 125 W= 106 mm



FCFG 60T Three-point foot
Reinforced polyamide

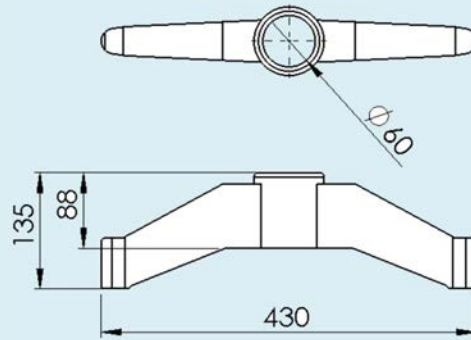


ACC

Support beam

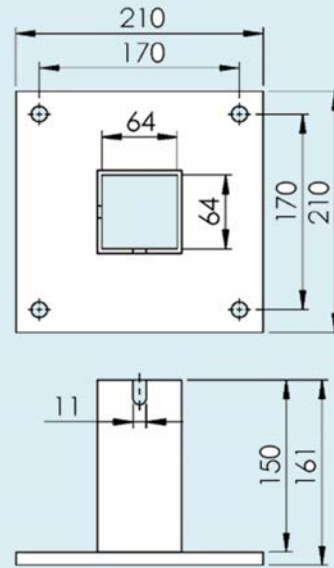
FCFG 60D

Two-point foot
Reinforced
polyamide



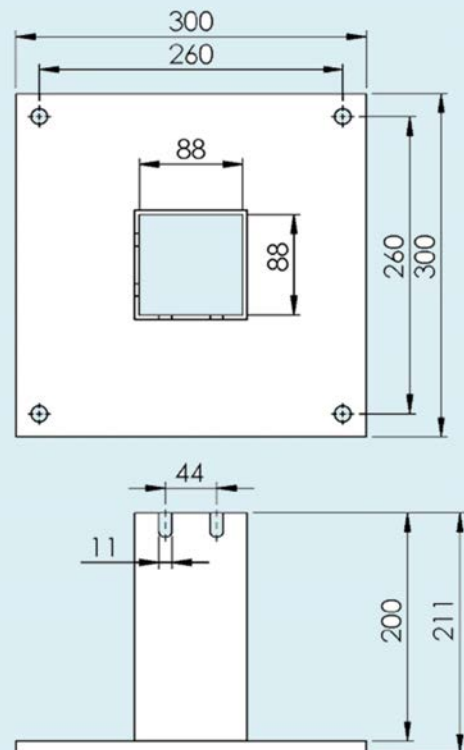
FCFF 64X210

Foot, stainless steel



FCFF 88X300

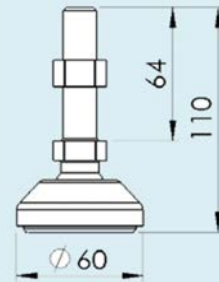
Foot, stainless steel



ACC

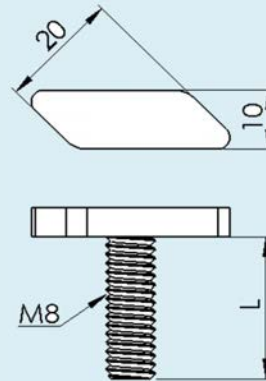
Support beam

FCFS 16X60X65 Adjustable plastic foot, to moulded feet



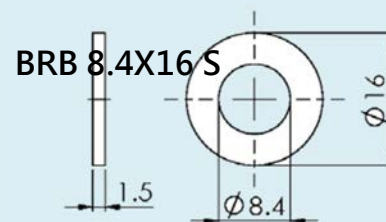
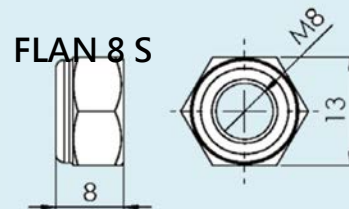
Stainless T-bolts

FLAT 17 S L= 17 mm
FLAT 24 S L= 24 mm
FLAT 35 S L= 35 mm
FLAT 53 S L= 53 mm
FLAT 71 S L= 71 mm



Nut

FLAN 8 S Locking nut M8 for T-bolt, include washer **BRB 8,4X16 S** stainless





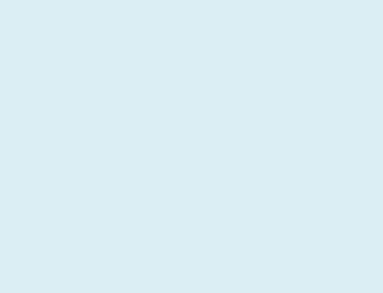
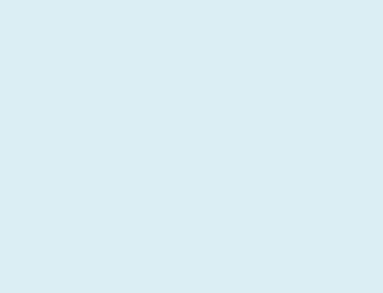
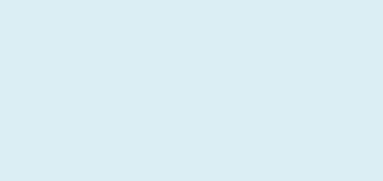
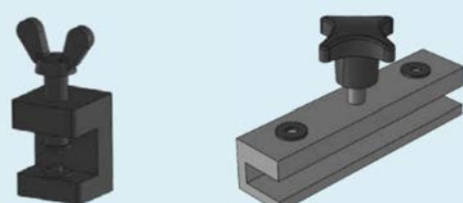
ACC

Tools



TOOL

Tools

<p>Pin insertion tool</p> <p>FLMJ 4 For FS & FL FLMJ 6 For FM FHMJ 6 For FH</p>	
<p>Pin insertion tool</p> <p>FBMJ 6 For FB175 & 295</p>	
<p>Pin insertion tool</p> <p>FBMJ 6P For FM, FH & FB</p>	
<p>Rivet crimping pliers</p> <p>F5051395 For FL, FM & FH</p>	
<p>Mounting tool</p> <p>FLMR 140 For FL FMMR 140 For FM FHMR 200 For FH FBMR 170 For FB175 & FB295</p>	
<p>Rivet crimping clamp</p> <p>F3923005 For FL, FM & FH</p> <p>Drill fixture</p> <p>F3920500 For FL, FM & FH</p>	<p>F3923005 F3920500</p> 

TOOL

Index

Designation	Page	Designation	Page
F3903648	5	FLCR 25	7
F3920500	7	FLCR 25H	7
F3924167	5	FLCR 25P	7
FDSS 450	5	FLCR 25U	7
FLAG 5	7	FLEBX 0HLGU	9
FLAH 4X8S	7	FLEBX 0HLU	9
FLBHX 120R150	13	FLEBX 0HRGU	9
FLBHX 180R150	13	FLEBX 0HRU	9
FLBHX 210R150	13	FLEJX 320	10
FLBHX 30R150	12	FLMJ 4	5
FLBHX 45R150	12	FLMR 140	7
FLBHX 60R150	12	FLTD 4X36	5
FLBHX 90R150	12	FLTF 5X12A...	4
FLBPX 30R1000	15	FLTF 5X12B...	4
FLBPX 30R500	15	FLTF 5X12C...	4
FLBPX 30R700	15	FLTF 5X15 C...	4
FLBPX 45R1000	15	FLTF 5X15A...	4
FLBPX 45R500	15	FLTF 5X17A...	4
FLBPX 45R700	15	FLTF 5X30A...	4
FLBPX 60R1000	15	FLTF 5X30C...	4
FLBPX 60R500	15	FLTF 5X4A...	4
FLBPX 60R700	15	FLTF 5X5.5A...	4
FLBPX 90R1000	15	FLTF 5X9A...	4
FLBPX 90R500	15	FLTL 63	4
FLBPX 90R700	15	FLTL 63TF	5
FLBVX 15R300	17	FLTL 63X12A	4
FLBVX 30R300	17	FLTL 63x12B	4
FLBVX 45R1000	18	FLTL 63X12C	4
FLBVX 45R300	18	FLTL 63X15A	4
FLBVX 5R300	17	FLTL 63X15C	4
FLBVX 60R1000	18	FLTL 63X17A	4
FLBVX 60R300	18	FLTL 63X30A	4
FLBVX 7R300	17	FLTL 63X30C	4
FLBVX 90R1000	18	FLTL 63X4A	4
FLBVX 90R300	18	FLTL 63X5.5A	4
FLCBX 3	7	FLTL 63X9A	4
FLCCX 160	7	FLTP 5	4
FLCJX 6X160	7	FLTP 5TF	5

Index

Designation	Page	Designation	Page
FLTT 9X16	5	FLAG 5	25
FMTF 5	21	FLCJX 6X160	25
FMTL 83	21	FMCCX 160	25
FMTF 5U	21	FMMR 140	25
FMTL 83U	21	F3920500	25
FMTF 5X15A...	21	FMEBX 0HLU	27
FMTF 5X30A...	21	FMEBX 0HRU	27
FMTL 83X15A	21	FMEBX 0HLGU	27
FMTL 83X30A	21	FMEBX 0HRGU	27
FMTF 5F	21	FMEJX 315	28
FMTL 83F	21	FMBHX 30R160	30
FMTF 5TF	22	FMBHX 45R160	30
FMTL 83TF	22	FMBHX 60R160	30
FMTE 5B	22	FMBHX 90R160	30
FMTL 83B	22	FMBHX 120R160	31
FMTE 5C	22	FMBHX 180R160	31
FMTM 83C	22	FMBHX 210R150	31
FMTX 78C	22	FMBPX 30R500	33
FMTE 5D	22	FMBPX 30R700	33
FMTM 83D	22	FMBPX 30R1000	33
FMTX 75D	22	FMBPX 45R500	33
FMTR 5	23	FMBPX 45R700	33
FMTL 83R	23	FMBPX 45R1000	33
FMTF 5X23R...	23	FMBPX 60R500	33
FMTL 83X23R	23	FMBPX 60R700	33
FMTF 5X46R...	23	FMBPX 60R1000	33
FMTL 83X46R	23	FMBPX 90R500	33
FMTT 13X16	23	FMBPX 90R700	33
FMTD 6X50	23	FMBPX 90R1000	33
FBMJ 6P	23	FMBVX 15R400	35
FMMJ 6	23	FMBVX 15R700	35
FDSS 450	23	FMBVX 30R400	35
FMCBX 3	25	FMBVX 30R700	35
FLCR 25	25	FMBVX 5R400	35
FLCR 25U	25	FMBVX 7R400	35
FLCR 25P	25	FMBVX 45R1000	36
FLCR 25H	25	FMBVX 45R400	36
FLAH 4X8S	25	FMBVX 60R1000	36

IDX

Index

Designation	Page	Designation	Page
FMBVX 60R400	36	FHEBX 0HRU	44
FMBVX 90R1000	36	FHEBX 0HLGU	44
FMBVX 90R400	36	FHEBX 0HRGU	44
FHTP 5	39	FHEJX 325	45
FHTL 103	39	FHBHX 30R170	47
FHTF 5X15A...	39	FHBHX 45R170	47
FHTF 5X20A...	39	FHBHX 60R170	47
FHTF 5X30A...	39	FHBHX 90R170	47
FHTF 5X40A...	39	FHBHX 120R170	48
FHTL 103X15A	39	FHBHX 180R170	48
FHTL 103X20A	39	FHBHX 210R170	48
FHTL 103X30A	39	FHBPX 30R500	50
FHTL 103X40A	39	FHBPX 30R700	50
FHTP 5F...	39	FHBPX 30R1000	50
FHTL 103F	39	FHBPX 45R500	50
FHTP 5TF	39	FHBPX 45R700	50
FHTL 103TF	39	FHBPX 45R1000	50
FHTR 5	40	FHBPX 60R500	50
FHTL 103R	40	FHBPX 60R700	50
FHTF 5X46R...	40	FHBPX 60R1000	50
FHTL 103X46R	40	FHBPX 90R500	50
FHTT 18X19	40	FHBPX 90R700	50
FHTD 6X70	40	FHBPX 90R1000	50
FBMJ 6P	40	FHBVX 15R400	52
FHMJ 6	40	FHBVX 15R700	52
FDSS 450	40	FHBVX 30R400	52
FHCBX 3	42	FHBVX 30R700	52
FLCR 25	42	FHBVX 5R400	52
FLCR 25U	42	FHBVX 7R400	52
FLCR 25P	42	FHBVX 45R1000	53
FLCR 25H	42	FHBVX 45R400	53
FLAH 4X8S	42	FHBVX 60R1000	53
FLAG 5	42	FHBVX 60R400	53
FLCJX 6X160	42	FHBVX 90R1000	53
FHCCX 160	42	FHBVX 90R400	53
FHMR 200	42	FBTP 3A175	56
F3920500	42	FBTL 175	56
FHEBX 0HLU	44	FBTP 3A175A	56

Index

Designation	Page	Designation	Page
FBTL 175 A	56	FBBVX 7A175R750	64
FBTP 3A175F	56	FBTP 3A295	67
FBTL 175F	56	FBTL 295	67
FBTP 3A175AF	56	FBTP 3A295F	67
FBTL 175AF	56	FBTL 295F	67
FBTL 175X46R	56	FBTP 3A295A	67
FBTT 13X16	56	FBTL 295A	67
FMTT 13X16	56	FBTP 3A295AF	67
FMTD 6X50	56	FBTL 295AF	67
FBMJ 6P	56	FBTT 13X16	67
FBMJ 6	56	FMTT 13X16	67
FDSS 450	56	FMTD 6X50	67
FBCBX 3A175	58	FBMJ 6P	67
FLCR 25	58	FBMJ 6	67
FLCR 25U	58	FDSS 450	67
FLCR 25P	58	FBCBX 3A295	69
FLCR 25H	58	FLCR 25	69
FLAH 4X8S	58	FLCR 25U	69
FLAG 5	58	FLCR 25P	69
FLCJX 6X160	58	FLCR 25H	69
FBMR 170	58	FLAH 4X8S	69
F3920500	58	FLAG 5	69
FBEBX 0A175LU	59	FLCJX 6X160	69
FBEBX 0A175RU	59	FBMR 170	69
FBEJX 175	60	F3920500	69
FBBPX 30A175R500	62	FBEBX 0A295LU	70
FBBPX 30A175R700	62	FBEBX 0A295RU	70
FBBPX 30A175R1000	62	FBEJX 295	71
FBBPX 45A175R500	62	FBBPX 30A295R700	73
FBBPX 45A175R700	62	FBBPX 30A295R1000	73
FBBPX 45A175R1000	62	FBBPX 45A295R700	73
FBBPX 60A175R500	62	FBBPX 45A295R1000	73
FBBPX 60A175R700	62	FBBPX 60A295R700	73
FBBPX 60A175R1000	62	FBBPX 60A295R1000	73
FBBPX 90A175R500	62	FBBPX 90A295R500	73
FBBPX 90A175R700	62	FBBPX 90A295R700	73
FBBPX 90A175R1000	62	FBBPX 90A295R1000	73
FBBVX 5A175R750	64	FBBVX 5A295R750	75

Index

Designation	Page	Designation	Page
FBBVX 7A295R750	75		
F5048965	77		
FLRK 12DE	77		
F5050986	77		
FLRF 30x71K	77		
FLRK 12x100D69	77		
FCBMX 3X60	79		
FLCTX 125	79		
FMCTX 125	79		
FHCTX 125	79		
FCFG 60T	79		
FCFG 60D	80		
FCFF 64X210	80		
FCFF 88X300	80		
FCFS 16X60X65	81		
FLAT 17S	81		
FLAT 24S	81		
FLAT 35S	81		
FLAT 53S	81		
FLAT 71S	81		
FLAN 8S	81		
FLMJ 4	83		
FLMJ 6	83		
FHMJ 6	83		
FBMJ 6	83		
FBMJ 6P	83		
F5051395	83		
FLMR 140	83		
FMMR 140	83		
FHMR 200	83		
FBMR 170	83		
F3923005	83		
F3920500	83		

IDX

Index